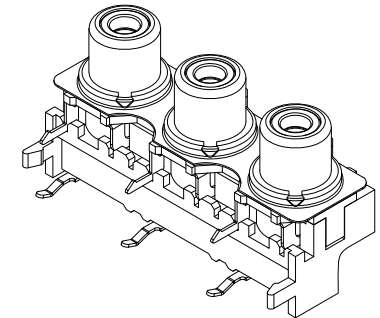


CIRCUIT DIAGRAM

COLOR TYPE			
P/N	A	B	C
R	RED		
K	BLACK		
Y	YELLOW		
W	WHITE		
G	GREEN		
B	BLUE		
O	ORANGE		



PCB HOLES DIAGRAM  
Bottom VIEW

NO.	PART NAME	TER.NO.	QTY	MATERIAL	REMARK
6	SHIELD		1	BRASS	Sn-Plated
5	TERMINAL	2	3	BRASS	Sn-Plated
4	OUTER CONTACT	1	3	BRASS	Sn-Plated
3	COVER		1	ABS	Black
2	WASHER		3	ABS	See Color Type
1	HOUSING		1	ABS	Black

**CONTACT** 建倚科技股份有限公司  
CONTACT TECHNOLOGY CORP.

TOLERANCE UNLESS OTHERWISE STATED:  
Up to 5 ±0.2  
Above 5 ~ 15 ±0.3  
Above 15 ~ 30 ±0.4  
Above 30 ~ 50 ±0.5  
Angle ±0.3

3RD. ANGEL'S



UNITS

MM

DRAWN BY:	DATE	MAT'L	TITLE	JACK
Jack Lu	04/14/14			
CHECKED BY:	DATE	FINISH	MODLE	RCA JACK 3 孔 帶鐵殼
Jacky Chen	04/14/14			
APPROVED BY:	DATE	SCALE	DWG NO.	RCA-314D4A-xxx-S147
Tony Kao	04/14/14	1 : 1	PART NO.	RCA-314D4A-xxx-S147
		SHEET NO.	1 of 1	
			SIZE	A4
			VER	R1

ITEM NO.	DESCRIPTION	DRAWN	DATE
1	更新材質及鍍層	Jack	041414