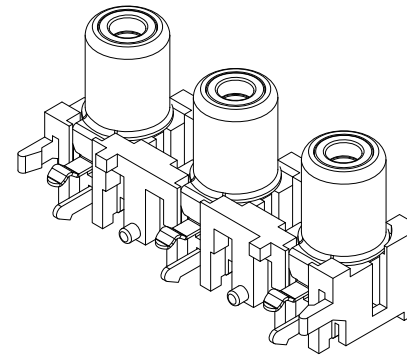


CIRCUIT DIAGRAM



COLOR TYPE			
P/N	A	B	C
R :	RED		
K :	BLACK		
Y :	YELLOW		
W :	WHITE		
G :	GREEN		
B :	BLUE		
O :	ORANGE		

PCB HOLES DIAGRAM
TOP VIEW

4	TERMINAL	3	H62	CuSn-Plated
3	OUTER CONTACT	3	H62	CuSn-Plated
2	WASHER	3	ABS	See Color Type
1	HOUSING	1	ABS	Black
NO.	PART NAME	QTY	MATERIAL	REMARK

CONTACT 建倚科技股份有限公司
CONTACT TECHNOLOGY CORP.

TOLERANCE UNLESS OTHERWISE STATED :
Up to 5 ±0.2
Above 5 ~ 15 ±0.3
Above 15 ~ 30 ±0.4
Above 30 ~ 50 ±0.5
Angle ±0.3

3RD. ANGEL'S



UNITS MM

DRAWN BY:	DATE	MAT'L	TITLE	JACK
Jack Lu	01/28/15			
CHECKED BY:	DATE	FINISH	MODLE	RCA JACK
Jacky Chen	01/28/15			
APPROVED BY:	DATE	SCALE	DWG NO.	RCA-316-xxx-S147
Tony Kao	01/28/15	1 : 1		
SHEET NO.	1 of 1	PART NO.	RCA-316-xxx-S147	SIZE A4
				VER R1