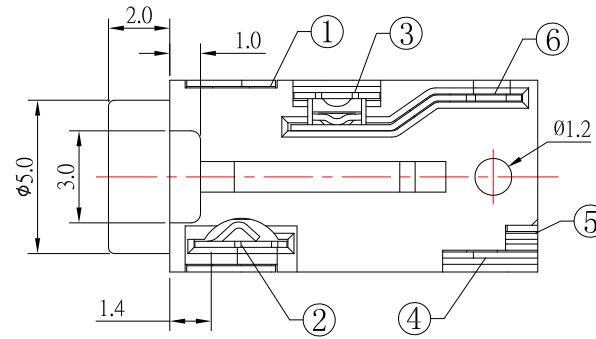
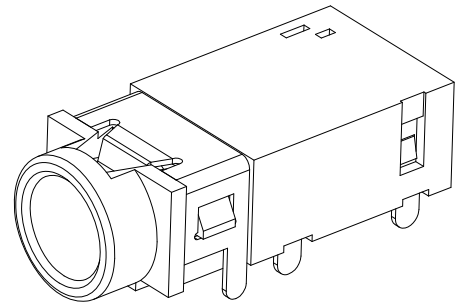


P.C.B LAYOUT  
TOP VIEW



SCHMATIC

PJ-3956-2	PJ-3953A-2	PJ-3953-2	PJ-3954-2	PJ-D3955A-2

SPECIFICATION

1. Rating : DC 30V 0.5A ;
2. Contact resistance :  $\leq 30m\Omega$  ;
3. Insulation resistance :  $\geq 100M\Omega$  ;
4. Withstand voltage : 500VAC ;
5. Insertion and extraction force : 3-20N;
6. life test : 5,000 cycles .

NO.	DESCRIPTION	QTY	MATERIAL	PLATING
7	HOUSING	1	PA9T	
6	6# CONTACT FOOT	1	PHOSPHOR BRONZE	Au-Plating
5	5# CONTACT FOOT	1	PHOSPHOR BRONZE	Au-Plating
4	4# CONTACT FOOT	1	PHOSPHOR BRONZE	Au-Plating
3	3# CONTACT FOOT	1	PHOSPHOR BRONZE	Au-Plating
2	2# CONTACT FOOT	1	PHOSPHOR BRONZE	Au-Plating
1	1# CONTACT FOOT	1	PHOSPHOR BRONZE	Au-Plating

**CONTACT** 建倚科技股份有限公司  
CONTACT TECHNOLOGY CORP.

TOLERANCE UNLESS OTHERWISE STATED :  
 Up to 5 ±0.2  
 Above 5 ~ 15 ±0.3  
 Above 15 ~ 30 ±0.4  
 Above 30 ~ 50 ±0.5  
 Angle ±0.3°

3RD. ANGEL'S

UNITS MM

DRAWN BY: Jack Lu	DATE: 11/09/16	MAT'L	TITLE: JACK
CHECKED BY: Jacky Chen	DATE: 11/09/16	FINISH	MODLE: PHONE JACK
APPROVED BY: Tony Kao	DATE: 11/09/16	SCALE: 1 : 1	DWG NO. PJ-395x-2-S124
		SHEET NO. 1 of 1	PART NO. PJ-395x-2-S124

ITEM NO.	DESCRIPTION	DRAWN	DATE

SIZE
A4
VER
R