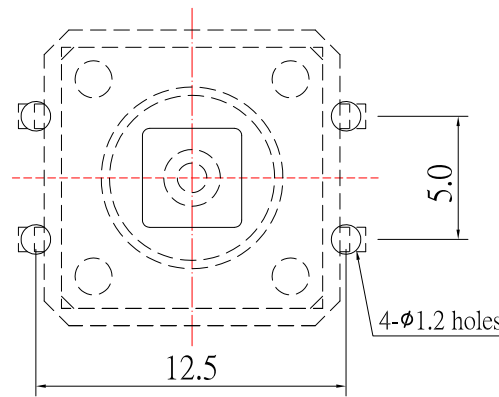
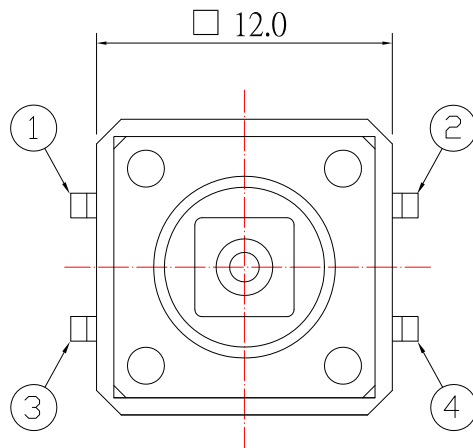


CIRCUIT DIAGRAM



PCB LAYOUT MOUNTING PATTERN

SPECIFICATIONS

Rating	DC 12V 50mA
Contact Resistance	100mΩ Max.
Travel	0.25 ± 0.1mm
Operating Force	2 160±50gf 3 260±50gf
Operating Life(cycles)	100,000

CONTACT 建倚科技股份有限公司
CONTACT TECHNOLOGY CORP.

TOLERANCE UNLESS OTHERWISE STATED :
 Up to 5 ±0.2
 Above 5 ~ 15 ±0.3
 Above 15 ~ 30 ±0.4
 Above 30 ~ 50 ±0.5
 Angle ±0.3

3RD. ANGEL'S
 UNITS MM

DRAWN BY:	DATE	MAT'L	TITLE	SWITCH
Jack Lu	11/24/14		MODLE	TACT SWITCH
CHECKED BY:	DATE	SCALE	DWG NO.	TS-A03T-x-S126
Jacky Chen	11/24/14	1 : 1	PART NO.	TS-A03T-x-S126
APPROVED BY:	DATE	SHEET NO.		
Tony Kao	11/24/14	1 of 1		

ITEM NO.	DESCRIPTION	DRAWN	DATE