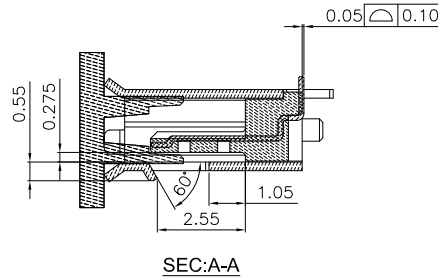
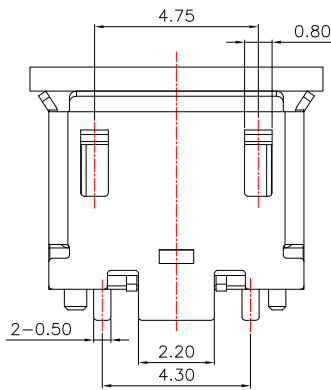
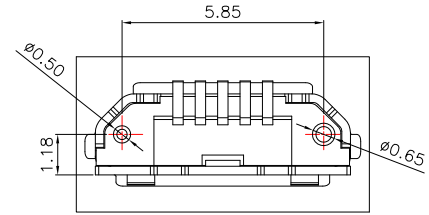
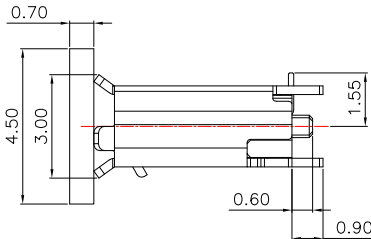
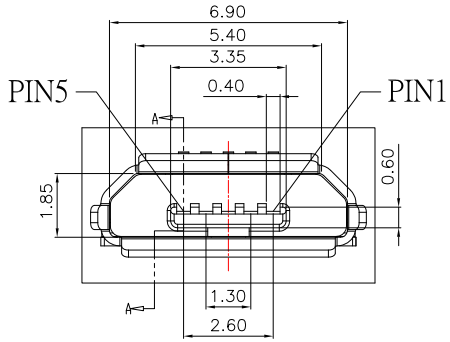


P.C.B LAYOUT MOUNTING PATTERN



NOTES:

- 1.MATERIAL:
 - 1.1 HOUSING: LCP, BLACK
 - 1.2 CONTACT: PHOSPHOR BRONZE
 - 1.3 SHELL: STAINLESS STEEL
 - 1.4 CAP: LCP, BLACK
- 2.Finish:
 - 2.1 CONTACT: PLATED GOLD IN MATING AREA ; GOLD PLATED ON SOLDER BALLS ; NICKEL UNDER PLATED OVERALL
 - 2.2 SHELL: NICKEL UNDER PLATED SURFACE LAYER

3.SPECIFICATION:

- 3.1 CURRENT RATING: 0.5 A
- 3.2 DIELECTRIC WITHSTANDING VOLTAGE: 100 VAC / MINUTE
- 3.3 CONTACT RESISTANCE: 30 mΩ MAX.
- 3.4 INSULATION RESISTANCE: 1000 MΩ MIN.
- 3.5 MATING FORCE: 3.57 Kgf MAX.
- 3.6 UNMATING FORCE: 0.81 Kgf MIN.
- 3.7 CONTACT RETENTION FORCE: 0.21 Kgf MIN.
- 3.8 LIFE: 10,000 CYCLES

CONTACT 建倚科技股份有限公司
CONTACT TECHNOLOGY CORP.

TOLERANCE UNLESS OTHERWISE STATED:
 Up to 5 ±0.2
 Above 5 ~ 15 ±0.3
 Above 15 ~ 30 ±0.4
 Above 30 ~ 50 ±0.5
 Angle ±0.3°

3RD. ANGEL'S



UNITS

MM

DRAWN BY:	DATE	MAT'L	TITLE	CONNECTOR
Jack Lu	06/21/17	FINISH	MODLE	MICRO USB 直立式 SMT TYPE 有捲邊
CHECKED BY:	DATE	SCALE	DWG NO.	MRUSB-5B-VSE2-S183
Jacky Chen	06/21/17	SHEET NO.	PART NO.	MRUSB-5B-VSE2-S183
APPROVED BY:	DATE	1 of 1		
Tony Kao	06/21/17			

ITEM NO.	DESCRIPTION	DRAWN	DATE
2	新增PIN編號	Jack	062117
1	更新材質和端子鍍層	Jack	032717