



SUA-110Mxx-x-S175

SHELL :		COLOR :	
Blank : BRASS	I : SPCC	Black : B	White : W
HOUSING :			
Blank : LCP	A : PBT		

SPECIFICATIONS

Electrical:

- 1.Current Rating: 1.5A / contact terminal
- 2.Voltage Rating: 30V DC , 250V AC
- 3.Contact Resistance: 30 mΩ Max
- 4.Dielectric Withstanding Voltage: 500 V AC AT Sec Level
- 5.Insulation Resistance: 1,000 MΩ Min(at 500VDC)
- 6.Durability: 5000 cycles

Mechanical:

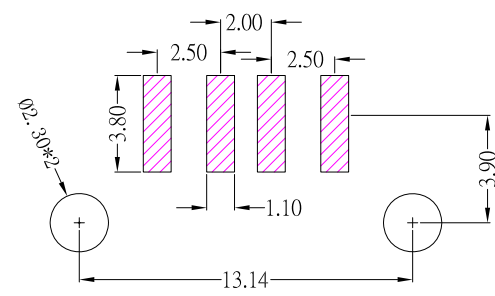
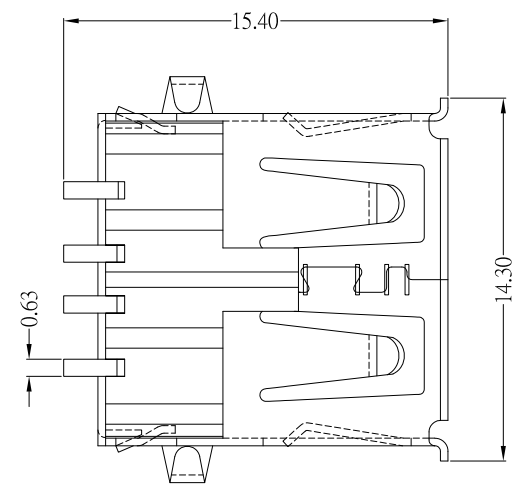
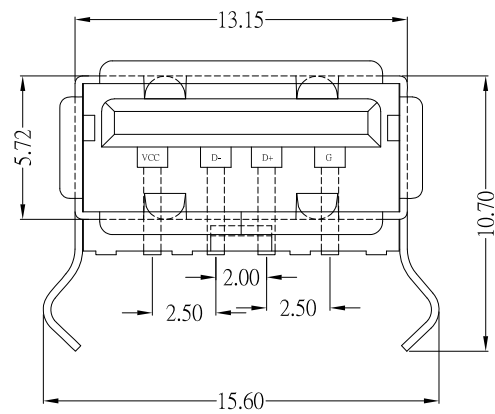
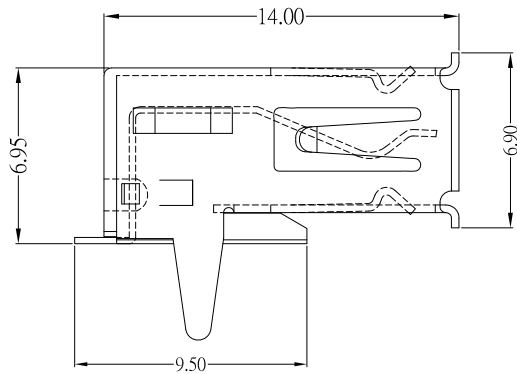
- 1.Connector Mate and Unmate Force
Mate force: 3.57 kgf (Max)
Unmate force: 1.02 kgf (Min)
- 2.Terminal Retention: 1.2 kgf (Min)

Material:

- 1.Housing: LCP / PBT,UL 94V-0 ,Black /White
- 2.Contact: Brass
- 3.Shell: Brass / Spcc

Finish:

- 1.Contact: Plated Gold in Mating Area ;
Tin Plated on Solder Balls ;
Nickel under plated overall
- 2.Shell: Nickel under Plated surface layer



PCB LAYOUT MOUNTING PATTERN

6	新增尺寸	Jack	030317
5	新增PIN定義	Jack	022417
3	更新SPEC	Jack	120915
2	更新料號	Jack	113015
1	更新料號	Jack	112714
ITEM NO.	DESCRIPTION	DRAWN	DATE

CONTACT 建倚科技股份有限公司
CONTACT TECHNOLOGY CORP.

TOLERANCE UNLESS OTHERWISE STATED :	Up to 5 ±0.2	3RD. ANGEL'S	UNITS	MM
	Above 5 ~ 15 ±0.3			
	Above 15 ~ 30 ±0.4			
	Above 30 ~ 50 ±0.5			
	Angle ±0.3			

DRAWN BY:	DATE	MAT'L	TITLE	CONNECTOR
Jack Lu	03/03/17			
CHECKED BY:	DATE	FINISH	MODLE	USB AF
Jacky Chen	03/03/17			
APPROVED BY:	DATE	SCALE	DWG NO.	SUA-110Mxx-x-S175
Tony Kao	03/03/17	1 : 1	PART NO.	SUA-110Mxx-x-S175
		SHEET NO.	1 of 1	
				SIZE A4
				VER R5