



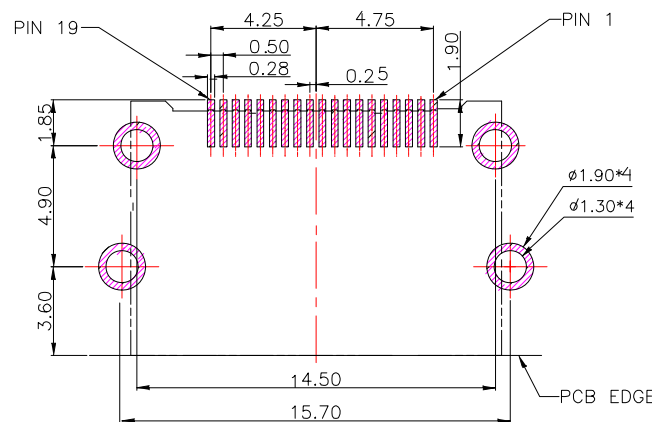
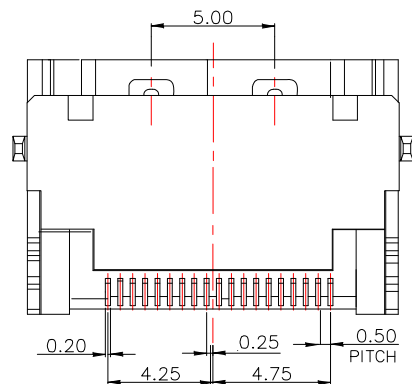
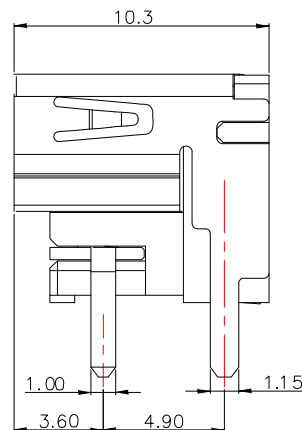
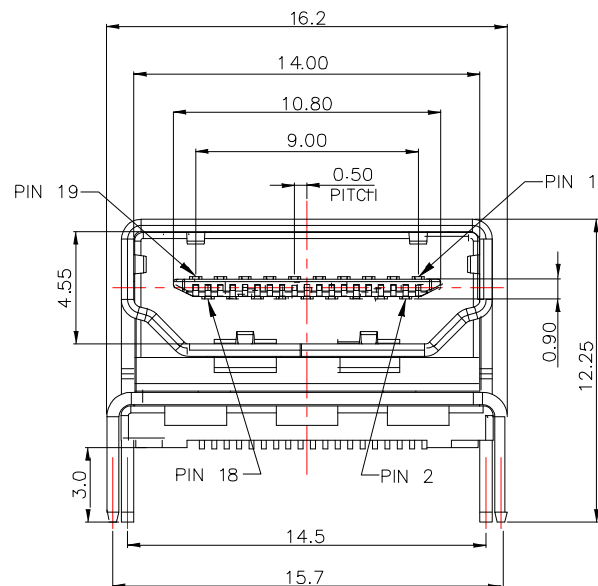
HDMI-19P-SND8xx-S277

SHELL MATERIAL:

Blank	BRASS
I	SPCC

SHELL PLATED :

Blank	NI
G	GOLD



RECOMMENDED PCB LAYOUT

NOTE:

1.MATERIAL:

- 1.1 HOUSING: LCP, UL94V-0,Black
- 1.2 CONTACT: PHOSPHOR BRONZE
- 1.3 SHELL: BRASS / SPCC

2.PLATING :

- 2.1 CONTACT: PLATED GOLD IN MATING AREA ;
TIN PLATED ON SOLDER BALLS ;
NICKEL UNDER PLATED OVERALL
- 2.2 SHELL: NICKEL OR GOLD UNDER PLATED SURFACE LAYER

3.ELECTRICAL:

- 3.1 RATING CURRENT: 0.5A
- 3.2 CONTACT RESISTANCE: 10 m Ω Max
- 3.3 INSULATION RESISTANCE: 100M Ω Min
- 3.4 WITHSTANDING VOLTAGE: 300V AC

CONTACT 建倚科技股份有限公司
CONTACT TECHNOLOGY CORP.

TOLERANCE UNLESS OTHERWISE STATED :

Up to 5 ± 0.2
Above 5 ~ 15 ± 0.3
Above 15 ~ 30 ± 0.4
Above 30 ~ 50 ± 0.5
Angle ± 0.3

3RD. ANGEL'S



UNITS MM

DRAWN BY: Jack Lu
CHECKED BY: Jacky Chen
APPROVED BY: Tony Kao

DATE: 07/30/15
DATE: 07/30/15
DATE: 07/30/15

MAT'L		TITLE	CONNECTOR
FINISH		MODLE	HDMI A/F 加高型
SCALE	1 : 1	DWG NO.	HDMI-19P-SND8xx-S277
SHEET NO.	1 of 1	PART NO.	HDMI-19P-SND8xx-S277

SIZE: A4
VER: R

ITEM NO.	DESCRIPTION	DRAWN	DATE