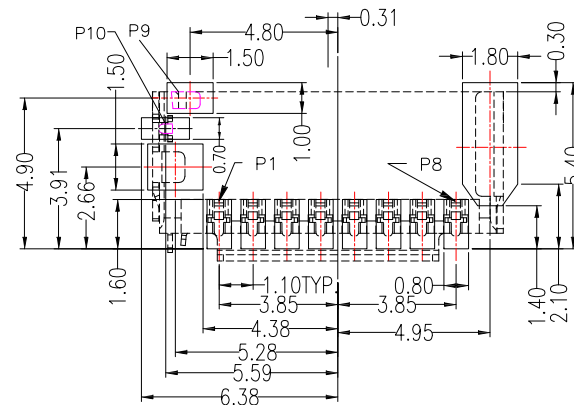


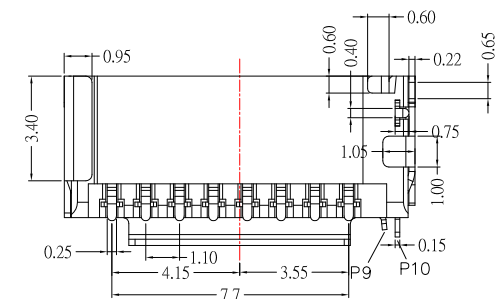
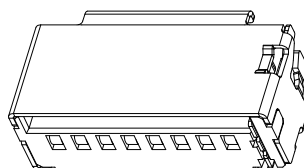
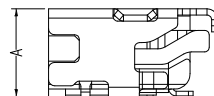
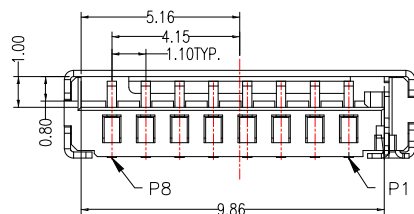
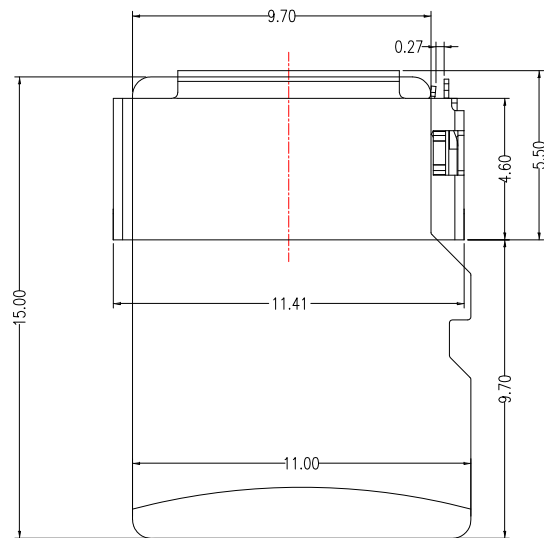


# SD-TF03-1108x-S267

|   | DIM  | A |
|---|------|---|
| 5 | 3.00 |   |
| 6 | 3.35 |   |
| 7 | 3.75 |   |



PCB LAYOUT



| Pin No. | NAME    |
|---------|---------|
| 1       | DAT2    |
| 2       | CD/DAT3 |
| 3       | CMD     |
| 4       | VDD     |
| 5       | CLK     |
| 6       | VSS     |
| 7       | DAT0    |
| 8       | DAT1    |
| 9       | CD1     |
| 10      | CD2     |

## SPECIFICATION

### Electrical :

- 1.Contact Resistance: 50 mΩ Max.
- 2.Insulation Resistance: 1000 MΩ Min.
- 3.Dielectric Withstanding Voltage: 500V RMS.
- 4.Life Cycles: 1500 cycles Min
- 5.Mate Force: 4.5kgf Max
- 6.Unmate Force: 0.5kgf Min

### Environmental:

- 1.Operating Temperature: -25°C ~ +85°C.

|          |               |       |        |
|----------|---------------|-------|--------|
| 7        | 更新高度選項        | Jack  | 102517 |
| 6        | 更新高度選項        | Jack  | 011617 |
| 5        | 新增尺寸          | Jack  | 011217 |
| 4        | PCB新增偵測pin 標示 | Jack  | 121216 |
| 3        | 新增偵測pin 標示    | Jack  | 120816 |
| 2        | 更新高度選項        | Jack  | 120516 |
| 1        | 更新高度選項        | Jack  | 102016 |
| ITEM NO. | DESCRIPTION   | DRAWN | DATE   |

**CONTACT** 建倚科技股份有限公司  
CONTACT TECHNOLOGY CORP.

TOLERANCE UNLESS OTHERWISE STATED :  
 Up to 5 ±0.2  
 Above 5 ~ 15 ±0.3  
 Above 15 ~ 30 ±0.4  
 Above 30 ~ 50 ±0.5  
 Angle ±0.3

3RD. ANGEL'S



UNITS MM

|              |          |
|--------------|----------|
| DRAWN BY:    | DATE     |
| Jack Lu      | 10/25/17 |
| CHECKED BY:  | DATE     |
| Jacky Chen   | 10/25/17 |
| APPROVED BY: | DATE     |
| Tony Kao     | 10/25/17 |

|           |        |                             |
|-----------|--------|-----------------------------|
| MAT'L     | TITLE  | CONNECTOR                   |
| FINISH    | MODLE  | MICRO SD 卡 短體帶偵測PIN         |
| SCALE     | 1 : 1  | DWG NO. SD-TF03-1108x-S267  |
| SHEET NO. | 1 of 1 | PART NO. SD-TF03-1108x-S267 |
|           |        | SIZE A4                     |
|           |        | VER R7                      |