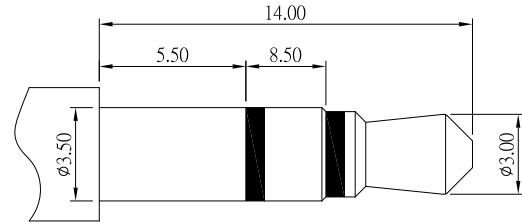
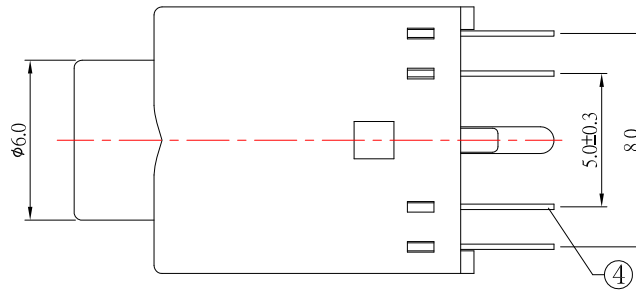


P.C.B LAYOUT
(TOP VIEW)



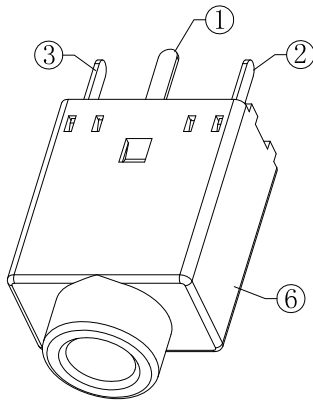
φ3.50mm 3 POLE PLUG



SCHEMATIC

SPECIFICATION

1. Rating : DC 30V 0.5A ;
2. Contact resistance : $\leq 30m\Omega$;
3. Insulation resistance : $\geq 100M\Omega$;
4. Withstand voltage : 500VAC ;
5. Insertion and extraction force : 3-20N;
6. life test : 5,000 cycles °



PJ-D3058	PJ-D3058-1	PJ-D3058-2	PJ-D3058-3

NO.	DESCRIPTION	QTY	MATERIAL	REMARK
6	HOUSING	1	PBT	
5	FLAT PIECE	1	Brass	Sn-Plating
4	FLAT PIECE	1	Brass	Sn-Plating
3	SPRING PIECE	1	Phosphor Bronze	Sn-Plating
2	SPRING PIECE	1	Phosphor Bronze	Sn-Plating
1	CONTACT FOOT	1	Phosphor Bronze	Sn-Plating

CONTACT 建倚科技股份有限公司
CONTACT TECHNOLOGY CORP.

TOLERANCE UNLESS OTHERWISE STATED :
Up to 5 ±0.2
Above 5 ~ 15 ±0.3
Above 15 ~ 30 ±0.4
Above 30 ~ 50 ±0.5
Angle ±0.3°

3RD. ANGEL'S UNITS MM

DRAWN BY: Jack Lu
CHECKED BY: Jacky Chen
APPROVED BY: Tony Kao

DATE: 02/22/17
DATE: 02/22/17
DATE: 02/22/17

MAT'L: JACK
FINISH: MODLE: 3.5mm PHONE JACK VERTICAL TYPE
SCALE: 1 : 1
DWG NO.: PJ-D3058-x-S124
SHEET NO.: 1 of 1
PART NO.: PJ-D3058-x-S124

SIZE: A4
VER: R

ITEM NO.	DESCRIPTION	DRAWN	DATE