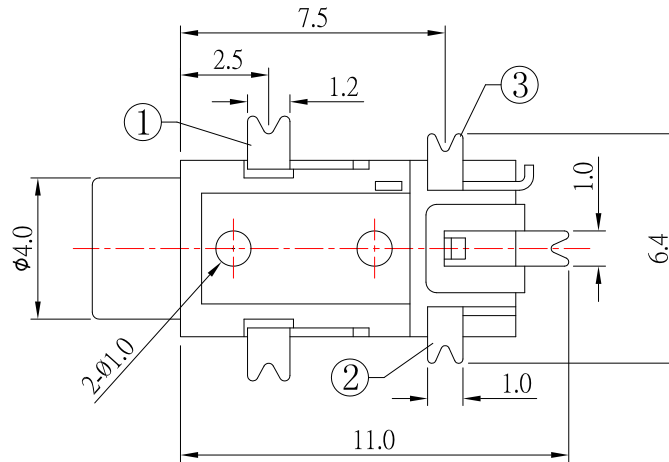
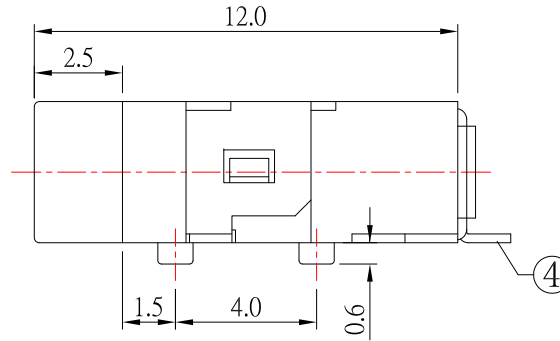
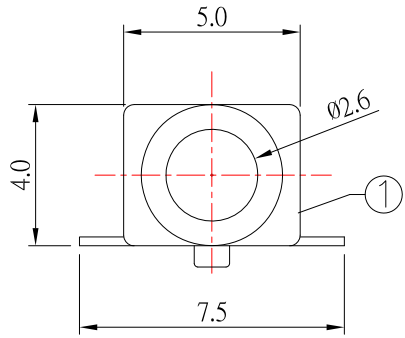
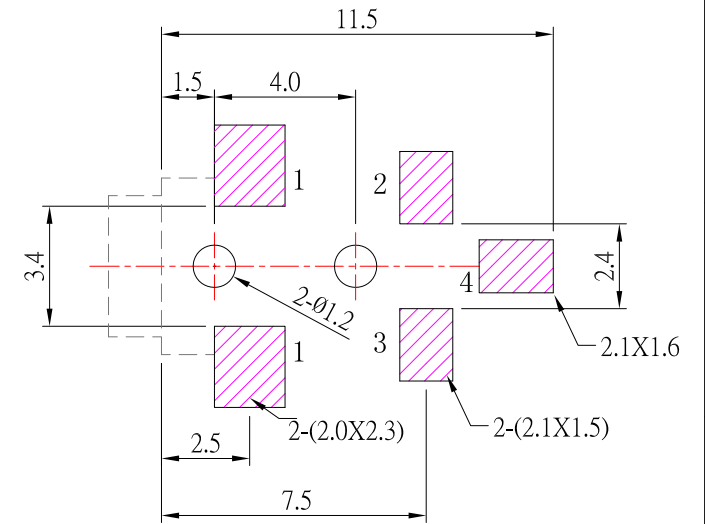




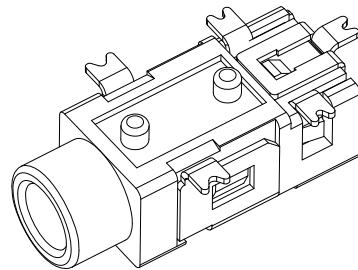
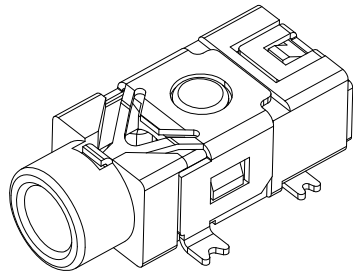
P.C.B LAYOUT MOUNTING PATTERN
(TOP VIEW)



SPECIFICATION

- 1.Rating : DC 30V 0.5A ;
- 2.Contact resistance : $\leq 30m\Omega$;
- 3.Insulation resistance : $\geq 100M\Omega$ (DC250V) ;
- 4.Withstand voltage : 250VAC ;
- 5.Insertion and extraction force : 3-20N
- 6.life test : 5,000 cycles °

MODEL NO.	PJ-2804D-S125	PJ-2803D-S125
SCHEMATIC		



5	HOUSING	1	PA9T	
4	CURVE PIECE	1	Brass	Au-Plating
3	SPRING PIECE	1	Phosphor Bronze	Au-Plating
2	SPRING PIECE	1	Phosphor Bronze	Au-Plating
1	CONTACT FOOT	1	Phosphor Bronze	Au-Plating
NO.	DESCRIPTION	QTY	MATERIAL	PLATING

DRAWN BY:	DATE	MAT'L	TITLE	JACK
Jack Lu	07/22/13		MODLE	PHONE JACK
CHECKED BY:	DATE	FINISH	SCALE	1 : 1
Jacky Chen	07/22/13		DWG NO.	PJ-280xD-S125
APPROVED BY:	DATE	SHEET NO.	PART NO.	PJ-280xD-S125
Tony Kao	07/22/13	1 of 1		
			SIZE	A4
			VER	R2

CONTACT 建倚科技股份有限公司
CONTACT TECHNOLOGY CORP.

TOLERANCE UNLESS OTHERWISE STATED :
 Up to 5 ±0.2
 Above 5 ~ 15 ±0.3
 Above 15 ~ 30 ±0.4
 Above 30 ~ 50 ±0.5
 Angle ±0.3°

3RD. ANGEL'S

UNITS MM

2	更新Withstand voltage	Jack	072213
1	尺寸更正(6.8mm為6.4mm)	FrankWu	062512
ITEM NO.	DESCRIPTION	DRAWN	DATE