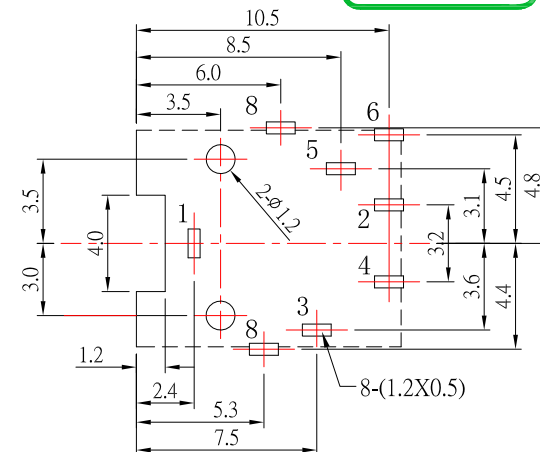
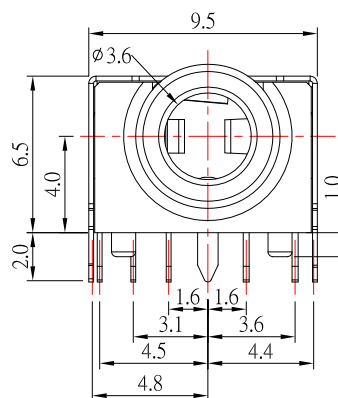
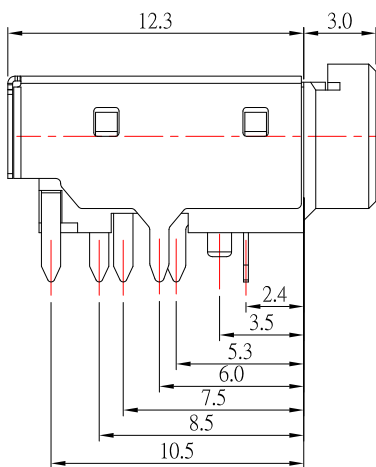
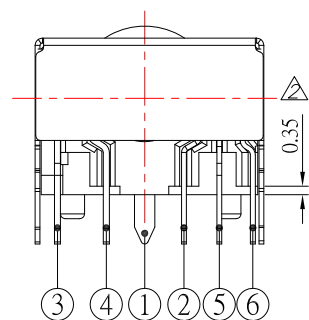
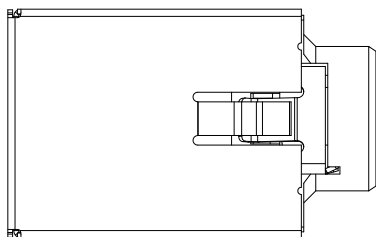




PJ-D30353FS-x-S457

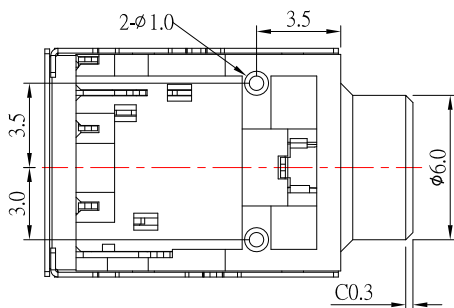
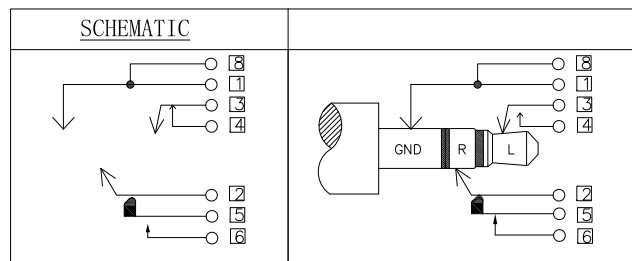
| | |
|-------|-------|
| Blank | Black |
| PI | Pink |
| GR | Green |



P.C.B LAYOUT
TOP VIEW

SPECIFICATION

1. Rating : DC 30V, 0.5A ;
2. Contact resistance : $\leq 30m\Omega$;
3. Insulation resistance : $\geq 100M\Omega$;
4. Withstand voltage : 500VAC ;
5. Insertion and extraction force : 3-30N;
6. life test : 5,000 cycles °



| NO. | DESCRIPTION | QTY | MATERIAL | PLATING |
|-----|--------------|-----|-----------------|-------------------|
| 8 | SHELL | 1 | SUS | Ni Plating |
| 7 | HOUSING | 1 | PA9T | |
| 6 | CONTACT FOOT | 1 | PHOSPHOR BRONZE | Sn Plated over Ni |
| 5 | SPRING PIECE | 1 | PHOSPHOR BRONZE | Sn Plated over Ni |
| 4 | CURVE PIECE | 1 | PHOSPHOR BRONZE | Sn Plated over Ni |
| 3 | SPRING PIECE | 1 | PHOSPHOR BRONZE | Sn Plated over Ni |
| 2 | SPRING PIECE | 1 | PHOSPHOR BRONZE | Sn Plated over Ni |
| 1 | CONTACT FOOT | 1 | PHOSPHOR BRONZE | Sn Plated over Ni |

CONTACT 建倚科技股份有限公司
CONTACT TECHNOLOGY CORP.

TOLERANCE UNLESS OTHERWISE STATED :
 Up to 5 ±0.2
 Above 5 ~ 15 ±0.3
 Above 15 ~ 30 ±0.4
 Above 30 ~ 50 ±0.5
 Angle ±0.3

3RD. ANGEL'S

UNITS MM

| | | | | |
|--------------|----------|-----------|----------|--------------------|
| DRAWN BY: | DATE | MAT'L | TITLE | JACK |
| Jack Lu | 09/19/23 | | | |
| CHECKED BY: | DATE | FINISH | MODLE | PHONE JACK |
| Jacky Chen | 09/19/23 | | | |
| APPROVED BY: | DATE | SCALE | DWG NO. | PJ-D30353FS-x-S457 |
| Tony Kao | 09/19/23 | 1 : 1 | PART NO. | PJ-D30353FS-x-S457 |
| | | SHEET NO. | 1 of 1 | |
| | | | | SIZE A4 |
| | | | | VER R |

| ITEM NO. | DESCRIPTION | DRAWN | DATE |
|----------|-------------|-------|------|
| | | | |
| | | | |
| | | | |