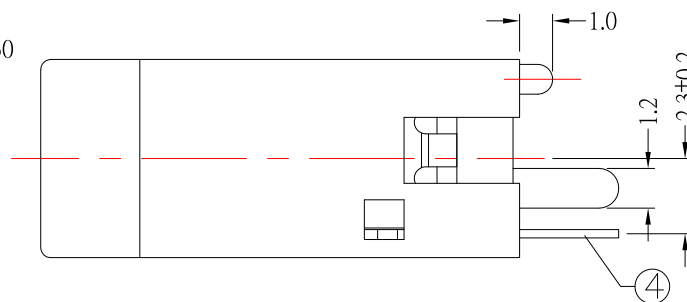
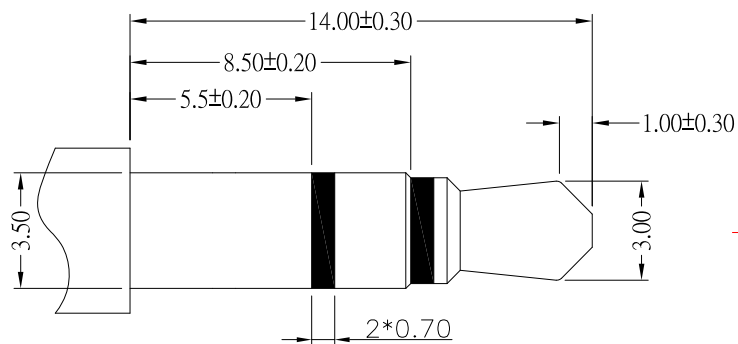


P.C.B LAYOUT MOUNTING PATTERN  
(TOP VIEW)

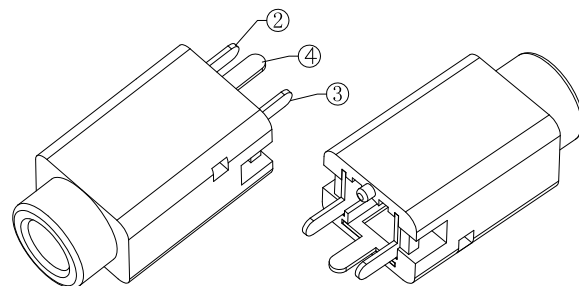
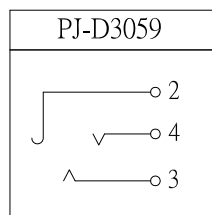


ø3.50mm 3 POLE PLUG

**SPECIFICATION**

1. Rating : DC 30V 0.5A ;
2. Contact resistance :  $\leq 30m\Omega$  ;
3. Insulation resistance :  $\geq 100M\Omega$  ;
4. Withstand voltage : 500VAC ;
5. Insertion and extraction force : 3-20N
6. life test : 5,000 cycles .

**SCHEMATIC**



4	CONTACT FOOT	1	Phosphor Bronze	Ag-Plated
3	CONTACT FOOT	1	Phosphor Bronze	Ag-Plated
2	CONTACT FOOT	1	Phosphor Bronze	Ag-Plated
1	HOUSING	1	PBT	
NO.	DESCRIPTION	QTY	MATERIAL	REMARK

**CONTACT** 建倚科技股份有限公司  
CONTACT TECHNOLOGY CORP.

TOLERANCE UNLESS OTHERWISE STATED :  
 Up to 5 ±0.2  
 Above 5 ~ 15 ±0.3  
 Above 15 ~ 30 ±0.4  
 Above 30 ~ 50 ±0.5  
 Angle ±0.3

3RD. ANGEL'S

UNITS MM

DRAWN BY:	DATE	MAT'L	TITLE	JACK
Jack Lu	06/19/17		MODLE	PHONE JACK
CHECKED BY:	DATE	SCALE	DWG NO.	PJ-D3059-S124
Jacky Chen	06/19/17	1 : 1	PART NO.	PJ-D3059-S124
APPROVED BY:	DATE	SHEET NO.	1 of 1	
Tony Kao	06/19/17			

ITEM NO.	DESCRIPTION	DRAWN	DATE