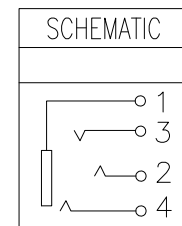
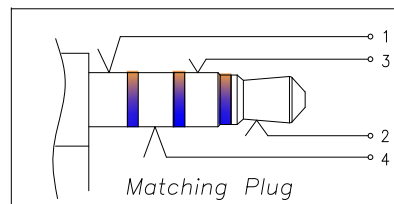
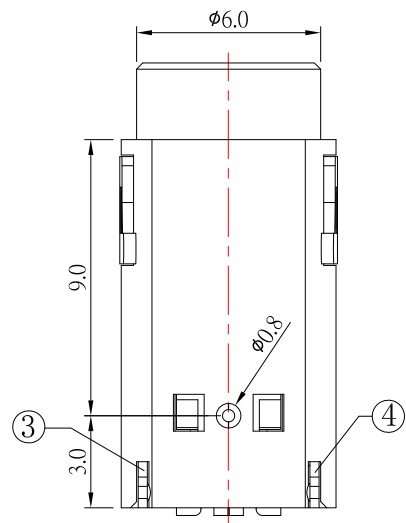


P.C.B LAYOUT



SPECIFICATION

1. Rating : DC 30V, 0.5A ;
2. Contact resistance : $\leq 30m\Omega$;
3. Insulation resistance : $\geq 100M\Omega$;
4. Withstand voltage : 500VAC ;
5. Insertion and extraction force : 3-30N
6. life test : 5,000 cycles °

NO.	DESCRIPTION	QTY	MATERIAL	PLATING
5	HOUSING	1	PA9T	
4	RING SPRING	1	PHOSPHOR BRONZE	Ag Plated over Ni
3	RING SPRING	1	PHOSPHOR BRONZE	Ag Plated over Ni
2	TIP SPRING	1	BRASS	Ag Plated over Ni
1	EARTHING SPRING	1	PHOSPHOR BRONZE	Ag Plated over Ni

CONTACT 建倚科技股份有限公司
CONTACT TECHNOLOGY CORP.

TOLERANCE UNLESS OTHERWISE STATED :
 Up to 5 ±0.2
 Above 5 ~ 15 ±0.3
 Above 15 ~ 30 ±0.4
 Above 30 ~ 50 ±0.5
 Angle ±0.3

3RD. ANGEL'S

UNITS MM

DRAWN BY:	DATE	MAT'L	TITLE	JACK
Jack Lu	03/17/23		MODLE	PHONE JACK
CHECKED BY:	DATE	SCALE	DWG NO.	PJ-D321B-S214
Jacky Chen	03/17/23	1 : 1	PART NO.	PJ-D321B-S214
APPROVED BY:	DATE	SHEET NO.	1 of 1	
Tony Kao	03/17/23			

ITEM NO.	DESCRIPTION	DRAWN	DATE