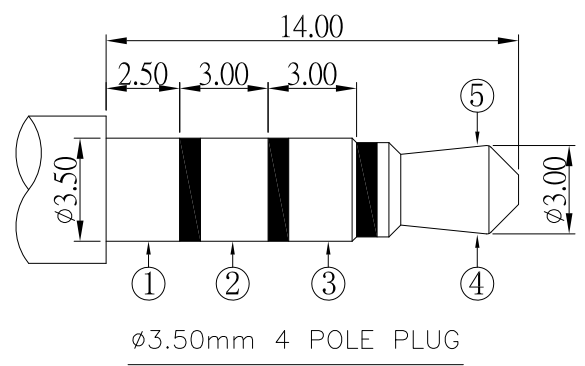
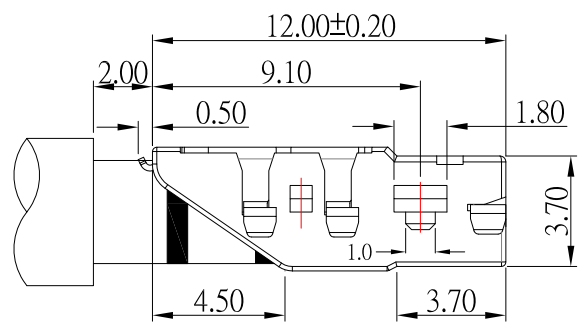
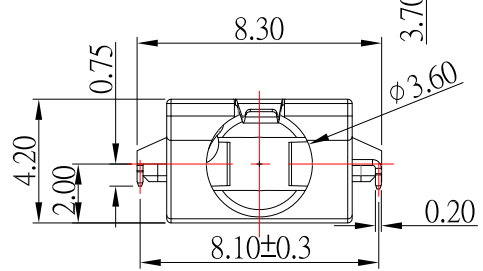
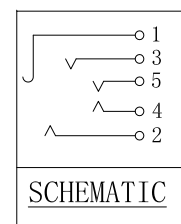


PCB LAYOUT
TOP VIEW



ø3.50mm 4 POLE PLUG



SCHEMATIC

SPECIFICATION

- 1.Rating : DC 30V , 1.0A
- 2.Contact resistance : ≤30mΩ
- 3.Insulation resistance : ≥100MΩ
- 4.Withstand voltage : 500VAC
- 5.Insertion and extraction force : 3-30N
- 6.life test : 5,000 cycles

NO.	DESCRIPTION	QTY	MATERIAL	REMARK
⑥	HOUSING	1	PA9T	
⑤	CONTACT FOOT #5	1	PHOSPHOR BRONZE	Au-Plating
④	CONTACT FOOT #4	1	PHOSPHOR BRONZE	Au-Plating
③	CONTACT FOOT #3	1	PHOSPHOR BRONZE	Au-Plating
②	CONTACT FOOT #2	1	PHOSPHOR BRONZE	Au-Plating
①	CONTACT FOOT #1	1	PHOSPHOR BRONZE	Au-Plating

CONTACT 建倚科技股份有限公司
CONTACT TECHNOLOGY CORP.

TOLERANCE UNLESS OTHERWISE STATED:
 Up to 5 ±0.2
 Above 5 ~ 15 ±0.3
 Above 15 ~ 30 ±0.4
 Above 30 ~ 50 ±0.5
 Angle ±0.3°

3RD. ANGEL'S

UNITS MM

DRAWN BY:	DATE	MAT'L	TITLE	JACK
Jack Lu	09/26/23		MODLE	PHONE JACK 板上高 2.2mm
CHECKED BY:	DATE	SCALE	DWG NO.	PJ-S3178-S124
Jacky Chen	09/26/23	1 : 1	PART NO.	PJ-S3178-S124
APPROVED BY:	DATE	SHEET NO.	SIZE	A4
Tony Kao	09/26/23	1 of 1	VER	R1

ITEM NO.	DESCRIPTION	DRAWN	DATE
1	更新圖面	Jack	092623