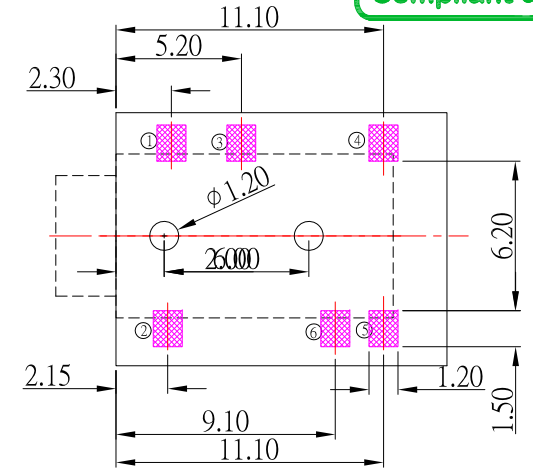
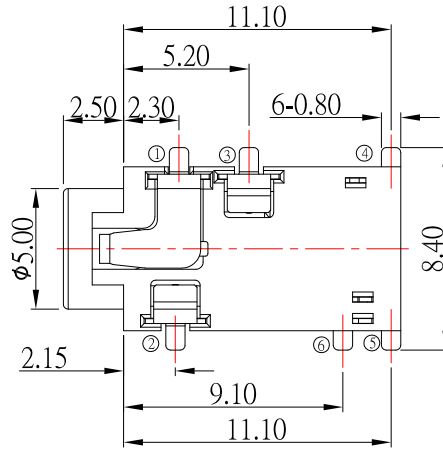
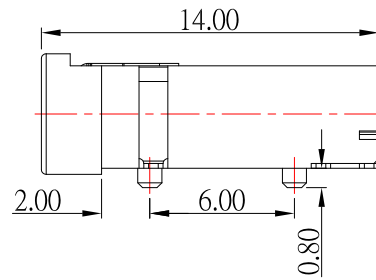
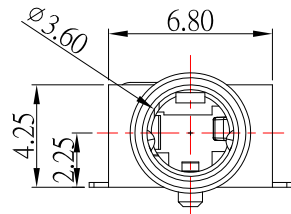


接觸點示意圖



P.C.B LAYOUT



SPECIFICATION

- 1.Rating : DC 5.0V , 0.5A ;
- 2.Contact resistance : $\leq 70m\Omega$;
- 3.Insulation resistance : $\geq 100M\Omega$;
- 4.Withstand voltage : 500VAC ;
- 5.Insertion and extraction force : 3-20N;
- 6.life test : 5,000 cycles ◦

PART NO.	SCHEMATIC	PLUG OUT
PJ-S32338		 φ3.5 4-POLE STANDARD PLUG(TOL:±0.05)
PJ-S32338-5		 φ3.5 4-POLE STANDARD PLUG(TOL:±0.05)

NO.	DESCRIPTION	QTY	MATERIAL	REMARK
9	INSERT MOLDING	1	PA9T(BLACK)	
8	HOUSING	1	PA9T(BLACK)	
7	7# CONTACT FOOT	1	SUS	
6	6# CONTACT FOOT	1	PHOSPHOR BRONZE	Au-Plating
5	5# CONTACT FOOT	1	PHOSPHOR BRONZE	Au-Plating
4	4# CONTACT FOOT	1	PHOSPHOR BRONZE	Au-Plating
3	3# CONTACT FOOT	1	PHOSPHOR BRONZE	Au-Plating
2	2# CONTACT FOOT	1	PHOSPHOR BRONZE	Au-Plating
1	1# CONTACT FOOT	1	PHOSPHOR BRONZE	Au-Plating

ITEM NO.	DESCRIPTION	DRAWN	DATE

CONTACT 建倚科技股份有限公司
CONTACT TECHNOLOGY CORP.

TOLERANCE UNLESS OTHERWISE STATED :
 Up to 5 ±0.2
 Above 5 ~ 15 ±0.3
 Above 15 ~ 30 ±0.4
 Above 30 ~ 50 ±0.5
 Angle ±0.3

3RD. ANGEL'S



UNITS MM

DRAWN BY:	DATE	MAT'L	TITLE	JACK
Jack Lu	01/23/24		MODLE	PHONE JACK
CHECKED BY:	DATE	FINISH	SCALE	1 : 1
Jacky Chen	01/23/24		DWG NO.	PJ-S32338-x-S457
APPROVED BY:	DATE	SHEET NO.	PART NO.	PJ-S32338-x-S457
Tony Kao	01/23/24	1 of 1		

SIZE A4
VER R