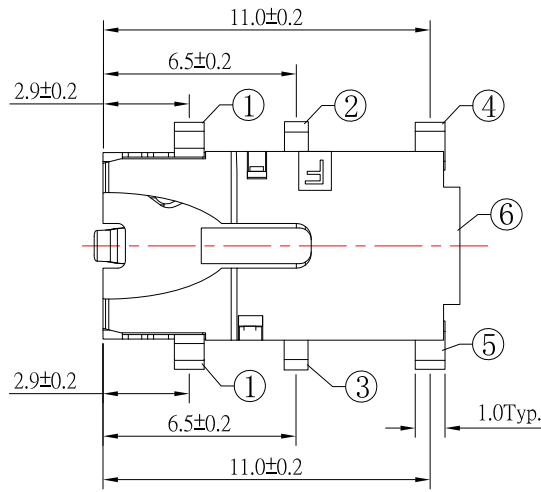
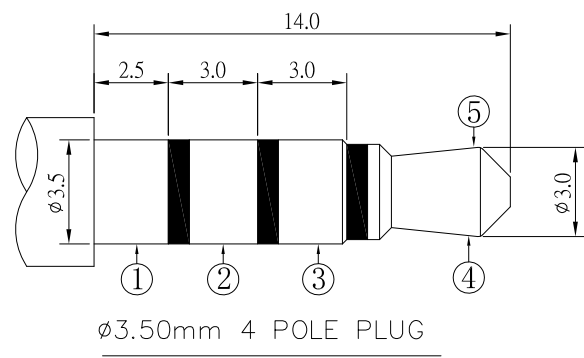
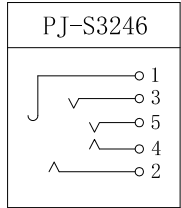


P.C.B LAYOUT
TOP VIEW



SCHEMATIC



SPECIFICATION

1. Rating : DC 30V, 1.0A
2. Contact resistance : ≤ 30mΩ
3. Insulation resistance : ≥ 100MΩ
4. Withstand voltage : 500VAC
5. Insertion and extraction force : 3-30N
6. life test : 5,000 cycles

6	HOUSING	1	PA9T	
5	5# CONTACT FOOT	1	SUS	Au-Plating
4	4# CONTACT FOOT	1	SUS	Au-Plating
3	3# CONTACT FOOT	1	PHOSPHOR BRONZE	Au-Plating
2	2# CONTACT FOOT	1	PHOSPHOR BRONZE	Au-Plating
1	1# CONTACT FOOT	1	SUS	Au-Plating
NO.	DESCRIPTION	QTY	MATERIAL	PLATING

CONTACT 建倚科技股份有限公司
CONTACT TECHNOLOGY CORP.

TOLERANCE UNLESS OTHERWISE STATED:
 Up to 5 ±0.2
 Above 5 ~ 15 ±0.3
 Above 15 ~ 30 ±0.4
 Above 30 ~ 50 ±0.5
 Angle ±0.3

3RD. ANGEL'S

UNITS MM

1	新增 P.C.B LAYOUT 尺寸	Jack	110323
ITEM NO.	DESCRIPTION	DRAWN	DATE

DRAWN BY:	DATE	MAT'L	TITLE	JACK
Jack Lu	11/03/23			
CHECKED BY:	DATE	FINISH	MODLE	PHONE JACK
Jacky Chen	11/03/23			
APPROVED BY:	DATE	SCALE	DWG NO.	PJ-S3246-S124
Tony Kao	11/03/23	1 : 1		
		SHEET NO.	PART NO.	PJ-S3246-S124
		1 of 1		
				SIZE A4
				VER R1