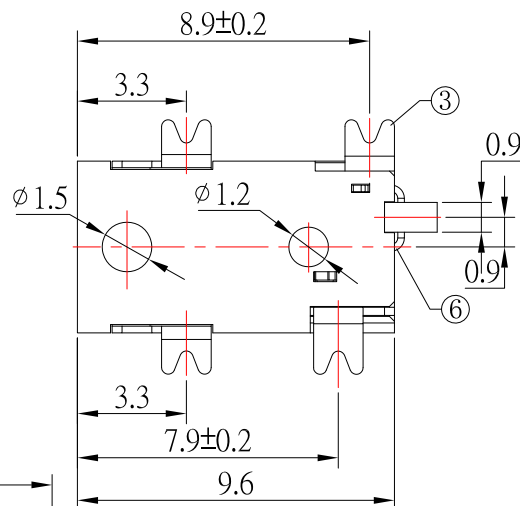
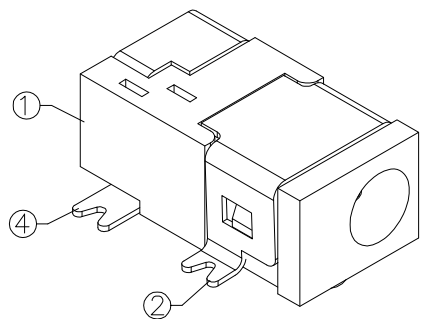


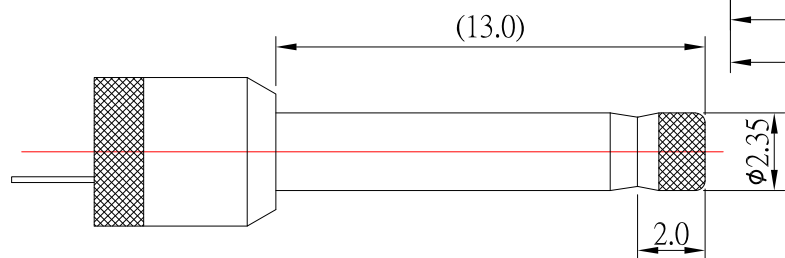
P.C.B LAYOUT  
TOP VIEW



MODEL NO.	DC-S041-0.65
SCHEMATIC	

SPECIFICATIONS

- 1. Rating : DC 30V , 1.0A ;
- 2. Contact resistance : ≤30mΩ ;
- 3. Insulation resistance : ≥100MΩ ;
- 4. Withstand voltage : 500VAC ;
- 5. Insertion and extraction force : 2-20N ;
- 6. Life test : 5,000 cycles .



RECOMMENDED PLUG

NO.	DESCRIPTION	QTY	MATERIAL	PLATING
6	CONTACT FOOT	1	BRASS	Ag-Plating
5	PIN	1	BRASS	Ag-Plating
4	SPRING	1	PHOSPHOR BRONZE	Ag-Plating
3	CURVE PIECE	1	BRASS	Ag-Plating
2	CONTACT FOOT	1	BRASS	Ag-Plating
1	HOUSING	1	PA9T	

ITEM NO.	DESCRIPTION	DRAWN	DATE
5	新增尺寸	Jack	072319
4	新增尺寸及更新SPEC和材質	Jack	110718
3	更新圖面	Jack	102717
2	更新為AO版	Jack	012517
1	更新Rating	Jack	011617

**CONTACT** 建倚科技股份有限公司  
CONTACT TECHNOLOGY CORP.

TOLERANCE UNLESS OTHERWISE STATED :  
 Up to 5 ±0.2  
 Above 5 ~ 15 ±0.3  
 Above 15 ~ 30 ±0.4  
 Above 30 ~ 50 ±0.5  
 Angle ±0.3

3RD. ANGEL'S

UNITS MM

DRAWN BY:	DATE	MAT'L	TITLE	JACK
Jack Lu	07/23/19			
CHECKED BY:	DATE	FINISH	MODLE	DC JCAK
Jacky Chen	07/23/19			
APPROVED BY:	DATE	SCALE	DWG NO.	DC-S041-0.65-S124
Tony Kao	07/23/19	1 : 1	PART NO.	DC-S041-0.65-S124
		SHEET NO.	1 of 1	
				SIZE A4
				VER R5