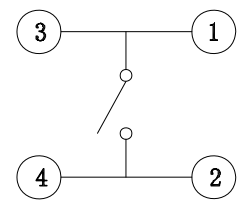
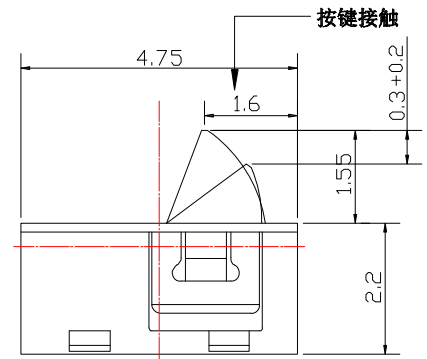


P.C.B LAYOUT



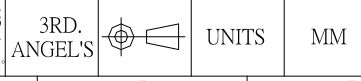
CIRCUIT DIAGRAM

SPECIFICATIONS

Rating	DC 12V, 0.1A.
Contact Resistance	100mΩ Max.
Insulation Resistance	100MΩ Min.
Operating Force	40±10 gf
Mechanical Life	100,000 cycles

**CONTACT** 建倚科技股份有限公司  
**CONTACT TECHNOLOGY CORP.**

TOLERANCE UNLESS OTHERWISE STATED:  
 Up to 5 ±0.2  
 Above 5 ~ 15 ±0.3  
 Above 15 ~ 30 ±0.4  
 Above 30 ~ 50 ±0.5  
 Angle ±0.3



DRAWN BY:	DATE	MAT'L	TITLE	SWITCH
Jack Lu	06/14/22		MODLE	DETECTOR SWITCH
CHECKED BY:	DATE	SCALE	DWG NO.	DS-A40-S379
Jacky Chen	06/14/22	1 : 1	PART NO.	DS-A40-S379
APPROVED BY:	DATE	SHEET NO.	1 of 1	
Tony Kao	06/14/22			

2	新增底部圖面	Jack	061422
1	更新為A0版	Jack	120717
ITEM NO.	DESCRIPTION	DRAWN	DATE