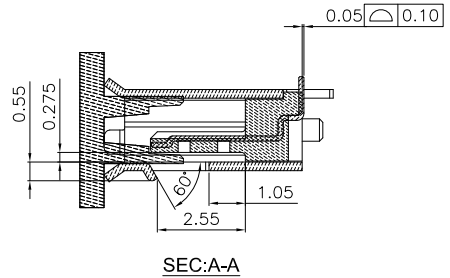
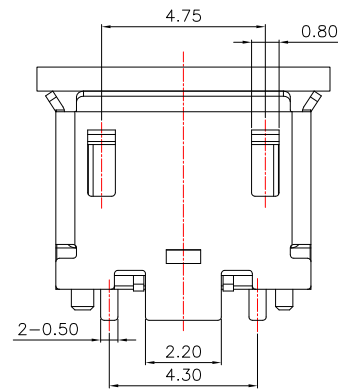
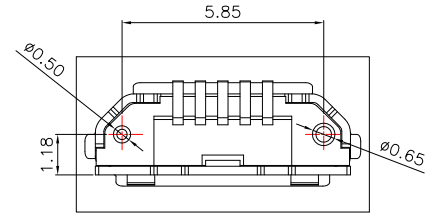
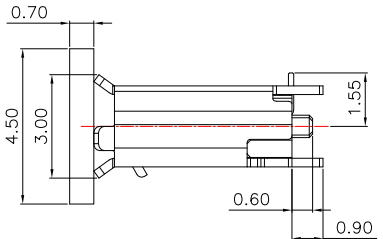
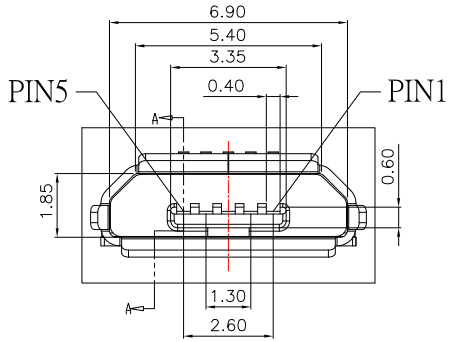


P.C.B LAYOUT MOUNTING PATTERN



- NOTES:
- MATERIAL:
 - HOUSING: LCP, BLACK
 - CONTACT: PHOSPHOR BRONZE
 - SHELL: STAINLESS STEEL
 - CAP: LCP, BLACK
 - Finish:
 - CONTACT: PLATED GOLD IN MATING AREA ; GOLD PLATED ON SOLDER BALLS ; NICKEL UNDER PLATED OVERALL
 - SHELL: NICKEL UNDER PLATED SURFACE LAYER
 - SPECIFICATION:
 - CURRENT RATING: 0.5 A
 - DIELECTRIC WITHSTANDING VOLTAGE: 100 VAC / MINUTE
 - CONTACT RESISTANCE: 30 mΩ MAX.
 - INSULATION RESISTANCE: 1000 MΩ MIN.
 - MATING FORCE: 3.57 Kgf MAX.
 - UNMATING FORCE: 0.81 Kgf MIN.
 - CONTACT RETENTION FORCE: 0.21 Kgf MIN.
 - LIFE: 10,000 CYCLES

CONTACT 建倚科技股份有限公司
CONTACT TECHNOLOGY CORP.

TOLERANCE UNLESS OTHERWISE STATED :	Up to 5 ±0.2	3RD. ANGEL'S	UNITS	MM
	Above 5 ~ 15 ±0.3			
	Above 15 ~ 30 ±0.4			
	Above 30 ~ 50 ±0.5			
	Angle ±0.3°			

DRAWN BY:	DATE	MAT'L	TITLE	CONNECTOR
Jack Lu	06/21/17	FINISH	MODLE	MICRO USB 直立式 SMT TYPE 有捲邊
CHECKED BY:	DATE	SCALE	DWG NO.	MRUSB-5B-VSE2-S183
Jacky Chen	06/21/17	SHEET NO.	PART NO.	MRUSB-5B-VSE2-S183
APPROVED BY:	DATE			
Tony Kao	06/21/17	1 of 1		

2	新增PIN編號	Jack	062117
1	更新材質和端子鍍層	Jack	032717
ITEM NO.	DESCRIPTION	DRAWN	DATE