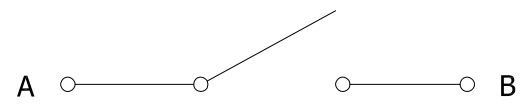
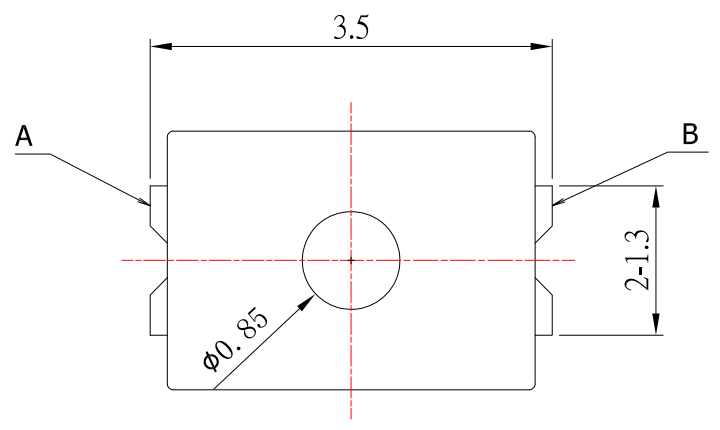
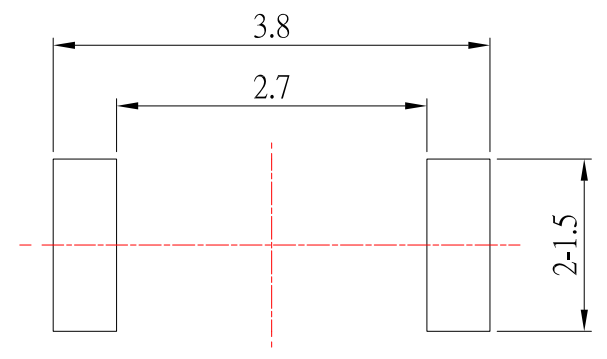


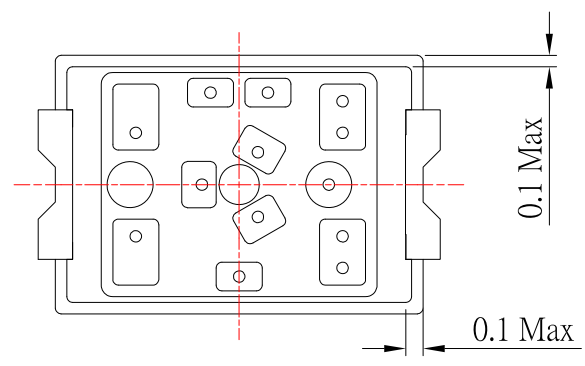
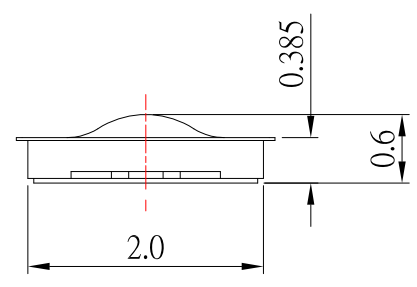
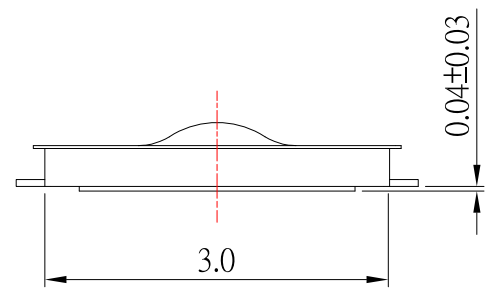
IP67



CIRCUIT DIAGRAM



P.C.B LAYOUT MOUNTING PATTERN



SPECIFICATIONS

Rating	DC 15V 20mA			
Contact Resistance	500mΩ Max.			
Travel	0.13 ± 0.1mm			
Operating Force	3	240 ± 70gf	4	330 ± 70gf
Operating Life (cycles)	500,000		300,000	

5	更新尺寸	Jack	061919
4	新增尺寸公差	Jack	061418
3	IP67標示位置更新	Jack	091417
2	更新尺寸	Jack	081816
1	新增Water-proof level	Jack	081616
ITEM NO.	DESCRIPTION	DRAWN	DATE

CONTACT 建倚科技股份有限公司
CONTACT TECHNOLOGY CORP.

TOLERANCE UNLESS OTHERWISE STATED:
 Up to 5 ±0.2
 Above 5 ~ 15 ±0.3
 Above 15 ~ 30 ±0.4
 Above 30 ~ 50 ±0.5
 Angle ±0.3

3RD. ANGEL'S

UNITS MM

DRAWN BY:	DATE
Jack Lu	06/19/18
CHECKED BY:	DATE
Jacky Chen	06/19/18
APPROVED BY:	DATE
Tony Kao	06/19/18

MAT'L		TITLE	SWITCH	
FINISH		MODLE	TACT SWITCH(内置按钮)for Waterproof	
SCALE	1 : 1	DWG NO.	TS-A29A-x-S048	SIZE A4
SHEET NO.	1 of 1	PART NO.	TS-A29A-x-S048	VER R5