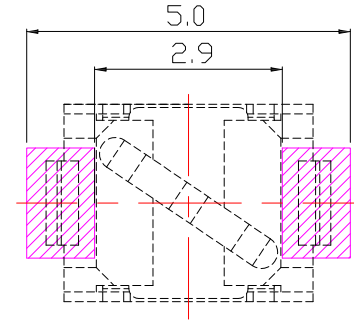
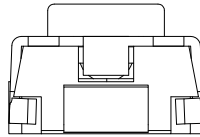
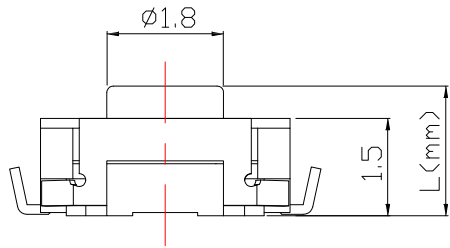


Model No.	L (mm)	Knob Color
TS-A85U	2.0	BLACK
TS-A85AU	2.5	BLACK
TS-A85GU	4.0	BLACK
TS-A85CU	7.0	BLACK

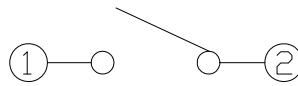
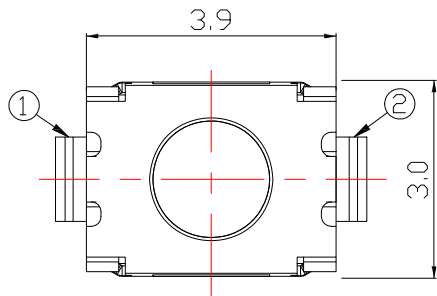


P.C.B. LAYOUT MOUNTING PATTERN



SPECIFICATIONS

Rating	DC 12V 50mA		
Contact Resistance	100mΩ Max.		
Travel	0.15 ± 0.1mm		
Operating Force	2 160±30gf	3 250±50gf	
Operating Life(cycles)	100,000		



CIRCUIT DIAGRAM

NO.	DESCRIPTION	QTY	MATERIAL	PLATING
F	DUST COVER	1	PI FILM	
E	TERMINAL	4	BRASS	Ag plated
D	CONTACT	1	SUS	Ag plated
C	COVER	1	SUS	
B	CASE	1	LCP	
A	STEM	1	LCP	

6	更新圖面	Jack	041123
5	新增材質表	Jack	080620
4	更新Knob Color	Jack	090516
3	更新高度選項	Jack	051916
2	更新travel	Jack	070815
1	刪除1.80高度選項	Jack	110714
ITEM NO.	DESCRIPTION	DRAWN	DATE

CONTACT 建倚科技股份有限公司
CONTACT TECHNOLOGY CORP.

TOLERANCE UNLESS OTHERWISE STATED:
 Up to 5 ±0.2
 Above 5 ~ 15 ±0.3
 Above 15 ~ 30 ±0.4
 Above 30 ~ 50 ±0.5
 Angle ±0.3°

3RD. ANGEL'S



UNITS

MM

DRAWN BY:	DATE	MAT'L	TITLE	SWITCH
Jack Lu	04/11/23			
CHECKED BY:	DATE	FINISH	MODLE	TACT SWITCH
Jacky Chen	04/11/23			
APPROVED BY:	DATE	SCALE	DWG NO.	TS-A85xU-x-S126
Tony Kao	04/11/23	1 : 1		
		SHEET NO.	PART NO.	TS-A85xU-x-S126
		1 of 1		
				SIZE A4
				VER R6