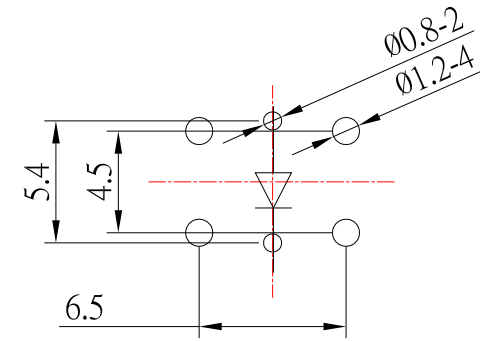


CIRCUIT DIAGRAM



MOUNTING PATTERN

COLOR OF LED

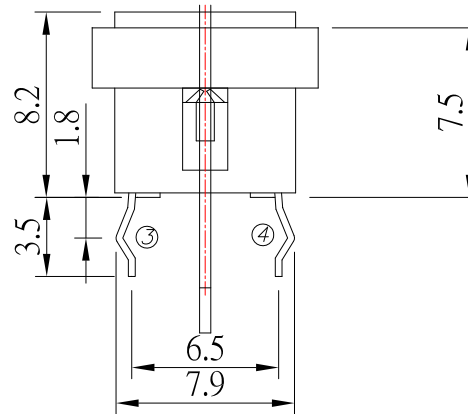
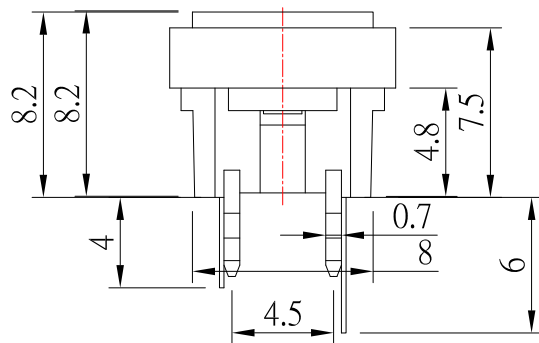
0	Without	1	Red
2	Green	3	Orange
4	Yellow	7	Blue
8	White		

CAP Color

0	Without	1	Red
2	Green	3	Yellow
4	Ivory	5	Gray
6	Black		

Housing Color

0	Without
5	Gray
6	Black



SPECIFICATIONS

1. Rating: 12VDC 50mA.
2. Operating force: 200±50gf.
3. Contact resistance: 100m ohm(Max).
4. Operating life: 100,000 cycles.
5. Total travel: 0.25±0.1mm

CONTACT 建倚科技股份有限公司
CONTACT TECHNOLOGY CORP.

TOLERANCE UNLESS OTHERWISE STATED:

Up to 5 ±0.2
Above 5 ~ 15 ±0.3
Above 15 ~ 30 ±0.4
Above 30 ~ 50 ±0.5
Angle ±0.3

3RD. ANGEL'S



UNITS MM

DRAWN BY: Jack Lu
CHECKED BY: Jacky Chen
APPROVED BY: Tony Kao

DATE: 05/15/14
DATE: 05/15/14
DATE: 05/15/14

MAT'L		TITLE	SWITCH
FINISH		MODLE	TACT SW WITH LED
SCALE	1 : 1	DWG NO.	TS-x-Ax-Bx
SHEET NO.	1 of 1	PART NO.	TS-x-Ax-Bx
		SIZE	A4
		VER	R1

ITEM NO.	DESCRIPTION	DRAWN	DATE
1	新增 LED和CAP和HOUSING 的COLOR	Jack	051514