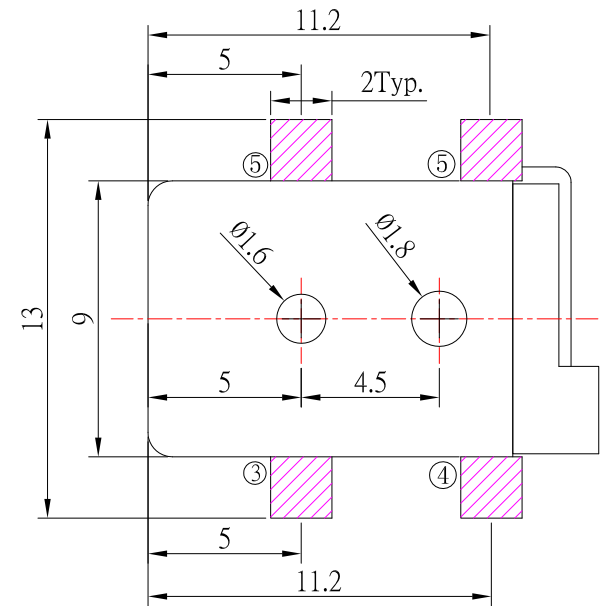


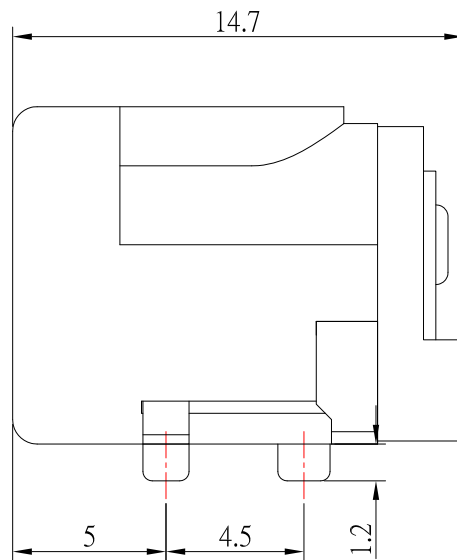
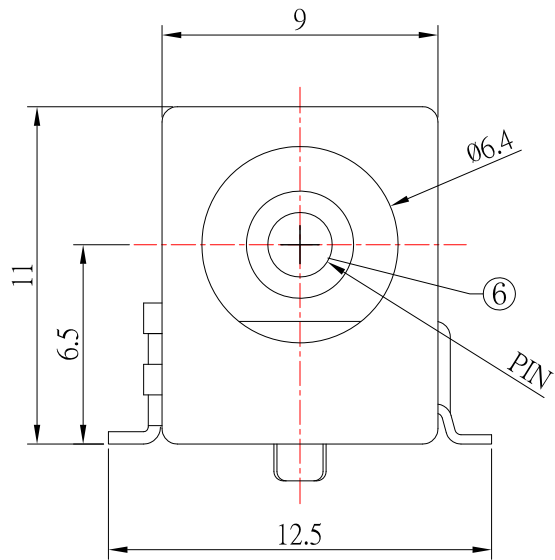


P. C. B LAYOUT
TOP VIEW

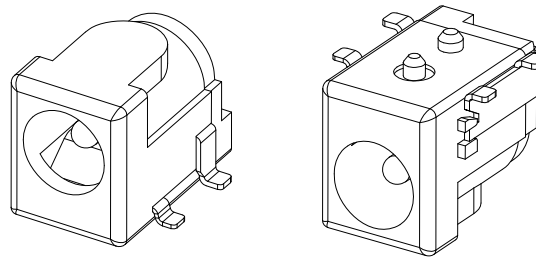
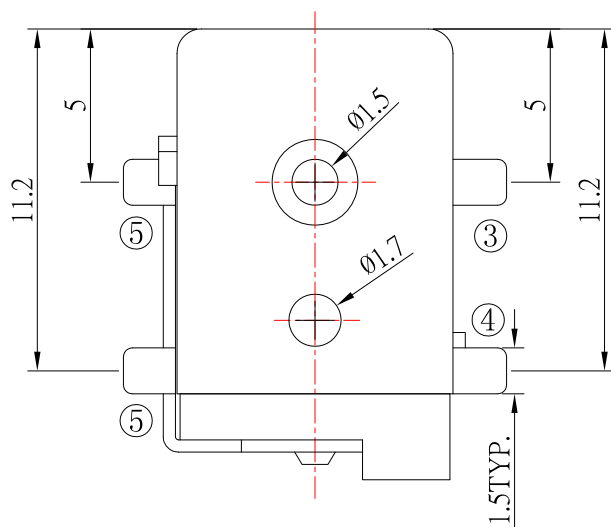


SPECIFICATION

1. Rating : DC 30V 2.0A ;
2. Contact resistance : $\leq 30m\Omega$;
3. Insulation resistance : $\geq 100M\Omega$ (DC250V) ;
4. Withstand voltage : 500VAC ;
5. Insertion and extraction force : 3-20N
6. life test : 5,000 cycles °



MODEL NO.	DC-016-x-S125
SCHEMATIC	
CENTER PIN	$\phi 2.0mm$
	$\phi 2.5mm$



CONTACT 建倚科技股份有限公司
CONTACT TECHNOLOGY CORP.

TOLERANCE UNLESS OTHERWISE STATED :

Up to 5 ±0.2
Above 5 ~ 15 ±0.3
Above 15 ~ 30 ±0.4
Above 30 ~ 50 ±0.5
Angle ±0.3°

3RD. ANGEL'S



UNITS MM

DRAWN BY: Frank Wu
CHECKED BY: Jacky Chen
APPROVED BY: Tony Kao

DATE: 11/07/11
DATE: 11/04/11
DATE: 11/07/11

MAT'L		TITLE	JACK
FINISH		MODLE	DC JACK
SCALE	1 : 1	DWG NO.	DC-016-x-S125
SHEET NO.	1 of 1	PART NO.	DC-016-x-S125
		SIZE	A4
		VER	B

ITEM NO.	DESCRIPTION	DRAWN	DATE