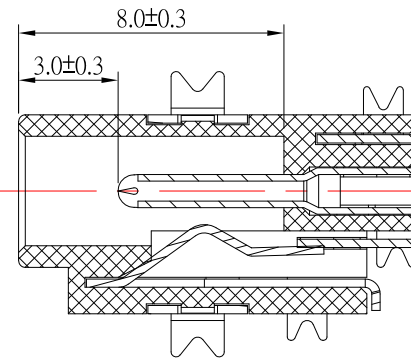
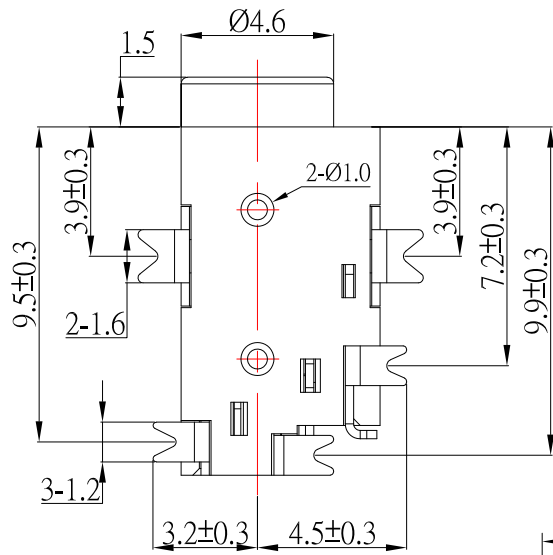
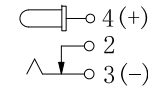


P.C.B LAYOUT
TOP VIEW



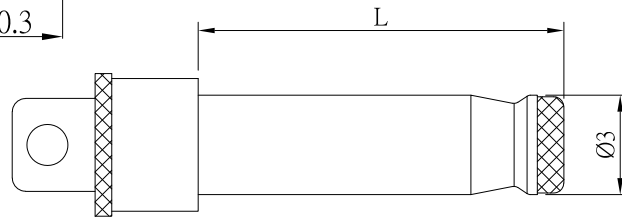
SCHMATIC

DC-067DS-1.0



SPECIFICATION

- Rating : DC 30V, 2.0A
- Contact resistance : $\leq 30m\Omega$ Max
- Insulation resistance : $\geq 100M\Omega$ Min
- Withstand voltage : 500VAC
- Insertion and extraction force : 3-30N
- life test : 5,000 cycles



RECOMMENDED PLUG

| NO. | DESCRIPTION | QTY | MATERIAL | PLATING |
|-----|--------------|-----|-----------------|------------|
| ⑤ | CONTACT FOOT | 1 | BRASS | Ag-Plating |
| ④ | PIN | 1 | BRASS | Ag-Plating |
| ③ | SPRING | 1 | PHOSPHOR BRONZE | Ag-Plating |
| ② | CURVE PIECE | 1 | BRASS | Ag-Plating |
| ① | HOUSING | 1 | PA9T | |

CONTACT 建倚科技股份有限公司
CONTACT TECHNOLOGY CORP.

| | | | | |
|--------------|----------|-----------|----------|-------------------|
| DRAWN BY: | DATE | MAT'L | TITLE | JACK |
| Jack Lu | 08/28/24 | FINISH | MODLE | DC JACK |
| CHECKED BY: | DATE | SCALE | DWG NO. | DC-067DS-1.0-S124 |
| Jacky Chen | 08/28/24 | 1 : 1 | PART NO. | DC-067DS-1.0-S124 |
| APPROVED BY: | DATE | SHEET NO. | 1 of 1 | |
| Tony Kao | 08/28/24 | | | |

| | | | |
|----------|-------------|-------|--------|
| 1 | 更新圖面 | Jack | 082824 |
| ITEM NO. | DESCRIPTION | DRAWN | DATE |

| | | | | |
|-------------------------------------|--------------------|--------------|-------|----|
| TOLERANCE UNLESS OTHERWISE STATED : | Up to 5 ±0.2 | 3RD. ANGEL'S | UNITS | MM |
| | Above 5 ~ 15 ±0.3 | | | |
| | Above 15 ~ 30 ±0.4 | | | |
| | Above 30 ~ 50 ±0.5 | | | |
| | Angle ±0.3° | | | |