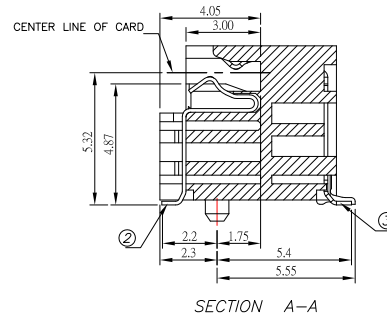
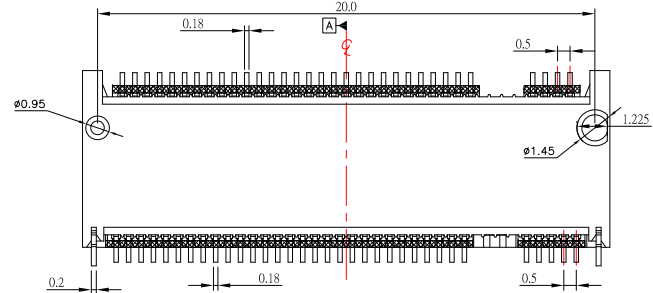
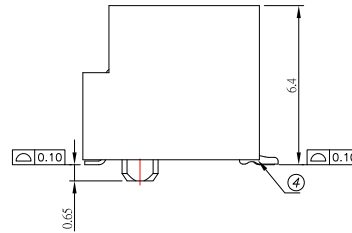
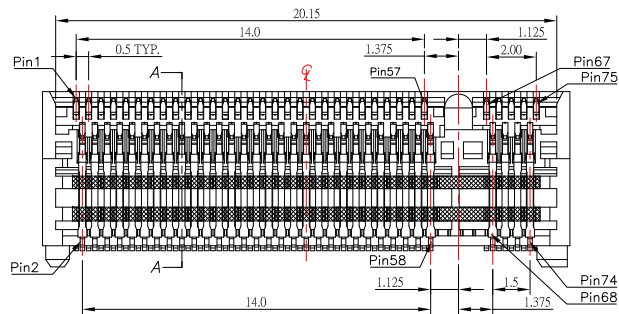


HOW TO MATE AND UNMATE
MATE: ① - ② - ③
UNMATE: ④



1.SPECIFICATION:

- 1.1 Current Rate: 0.5 A
- 1.2 Voltaget Rate: 50V AC
- 1.3 Insulator Resistance: 500 MΩ Min
- 1.4 Dielectric Strength: 300V AC
- 1.5 Contact Resistance: 55mΩ Max
- 1.6 Mating Force: 20N Max
- 1.7 Unmating Force: 20N Max

2.MATERIAL:

- 2.1 Housing: LCP,UL94V-0
- 2.2 Contact: Phosphor Bronze
- 2.3 Leg: Brass

3.Finish:

- 3.1 Contact: Plated Gold in Mating Area ;
Tin Plated on Solder Balls ;
Nickel under plated overall
- 3.2 Leg: Tin Plated on Solder Balls
Nickel under plated overall

CONTACT 建倚科技股份有限公司
CONTACT TECHNOLOGY CORP.

TOLERANCE UNLESS OTHERWISE STATED:
Up to 5 ±0.2
Above 5 ~ 15 ±0.3
Above 15 ~ 30 ±0.4
Above 30 ~ 50 ±0.5
Angle ±0.3°

3RD. ANGEL'S

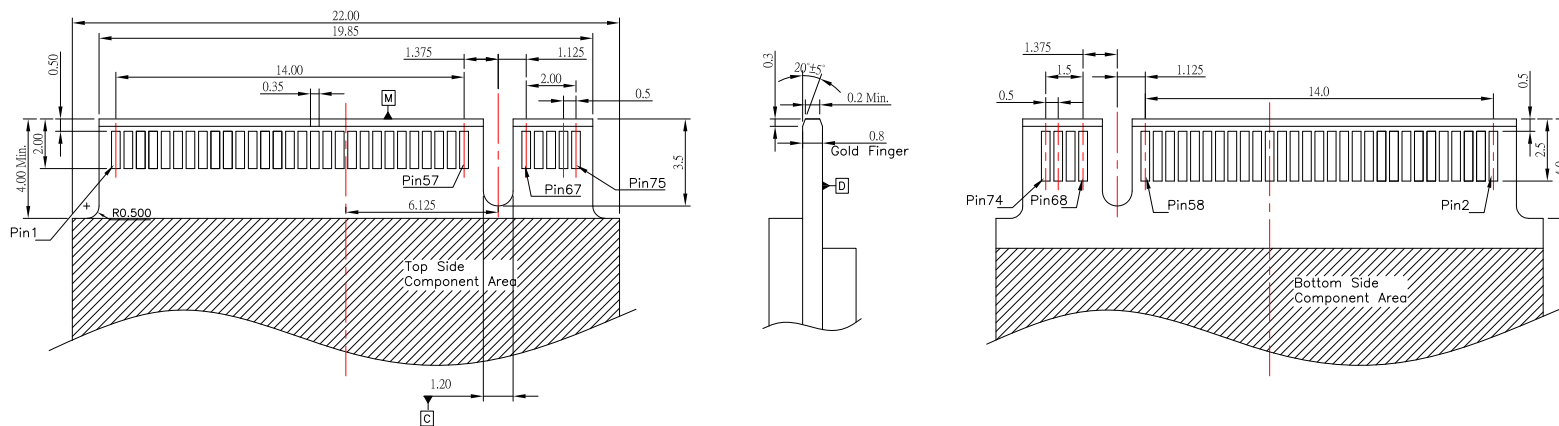


UNITS MM

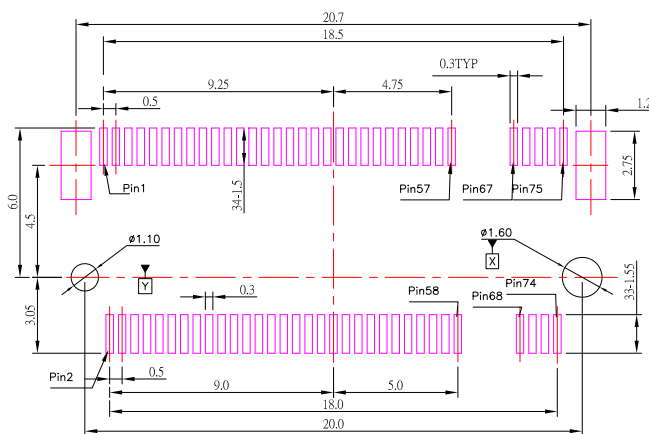
DRAWN BY: Jack Lu
CHECKED BY: Jacky Chen
APPROVED BY: Tony Kao
DATE: 11/25/16
DATE: 11/25/16
DATE: 11/25/16

| | | | |
|-----------|--------|----------|--|
| MAT'L | | TITLE | CONNECTOR |
| FINISH | | MODLE | NGFF SOCKET(M.2 CONNECTOR) H:6.4 STD M KEY DUAL-SMT TYPE |
| SCALE | 1 : 1 | DWG NO. | NGF-64SM-S273 |
| SHEET NO. | 1 of 2 | PART NO. | NGF-64SM-S273 |
| | | SIZE | A4 |
| | | VER | R |

| | | | |
|----------|-------------|-------|------|
| ITEM NO. | DESCRIPTION | DRAWN | DATE |
| | | | |



Recommended Mould Finger Layout



Recommended PCB Layout(Top View)

CONTACT 建倚科技股份有限公司
CONTACT TECHNOLOGY CORP.

TOLERANCE UNLESS OTHERWISE STATED:
Up to 5 ±0.2
Above 5 ~ 15 ±0.3
Above 15 ~ 30 ±0.4
Above 30 ~ 50 ±0.5
Angle ±0.3°

3RD. ANGEL'S



UNITS MM

| | | | | |
|--------------|----------|-----------|----------|--|
| DRAWN BY: | DATE | MAT'L | TITLE | CONNECTOR |
| Jack Lu | 11/25/16 | | | |
| CHECKED BY: | DATE | FINISH | MODLE | NGFF SOCKET(M.2 CONNECTOR) H:6.4 STD M KEY DUAL-SMT TYPE |
| Jacky Chen | 11/25/16 | | | |
| APPROVED BY: | DATE | SCALE | DWG NO. | NGF-64SM-S273 |
| Tony Kao | 11/25/16 | 1 : 1 | | |
| | | SHEET NO. | PART NO. | NGF-64SM-S273 |
| | | 2 of 2 | | |
| | | | | SIZE A4 |
| | | | | VER R |

| | | | |
|----------|-------------|-------|------|
| ITEM NO. | DESCRIPTION | DRAWN | DATE |
|----------|-------------|-------|------|