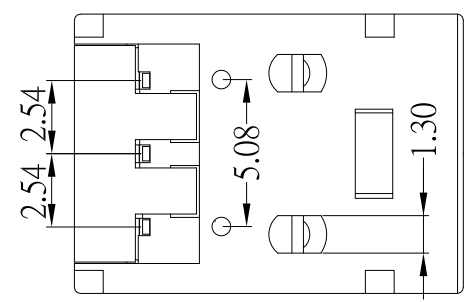
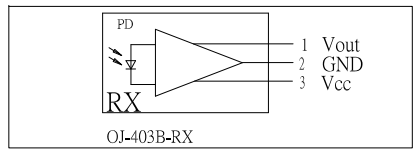
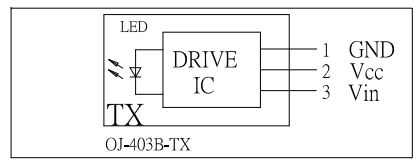
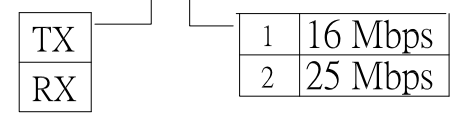


PCB LAYOUT

OJ-403B-XXx-S214



⑦	IC			1
⑥	Fixed PIN	SPCC	SN	2
⑤	SPRING	SUS		1
④	GATE	PA9T	BLACK	1
③	FRAME	PA9T	BLACK	1
②	COVER	PA9T	BLACK	1
①	HOUSING	PA9T	BLACK	1
ITEM	DESCRIPTIONs	MATERIAL	FINISH	Q' TY

**CONTACT** 建倚科技股份有限公司  
CONTACT TECHNOLOGY CORP.

DRAWN BY:	DATE	MAT'L	TITLE	JACK
Jack Lu	09/20/24			
CHECKED BY:	DATE	FINISH	MODLE	OPTICAL JACK
Jacky Chen	09/20/24			
APPROVED BY:	DATE	SCALE	DWG NO.	OJ-403B-XXx-S214
Tony Kao	09/20/24	1 : 1		
		SHEET NO.	PART NO.	OJ-403B-XXx-S214
		1 of 1		

1	新增傳輸選項	Jack	092024
ITEM NO.	DESCRIPTION	DRAWN	DATE

TOLERANCE UNLESS OTHERWISE STATED :  
 Up to 5 ±0.2  
 Above 5 ~ 15 ±0.3  
 Above 15 ~ 30 ±0.4  
 Above 30 ~ 50 ±0.5  
 Angle ±0.3

3RD. ANGEL'S

UNITS MM