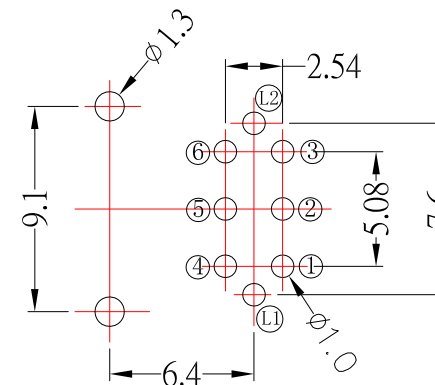


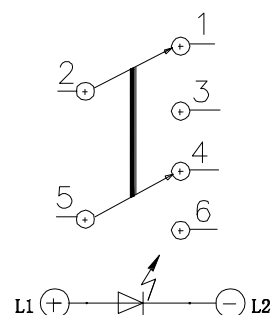
PS-x-22E85x-S313

COLOR OF LED			
0	Without	1	Red
2	Green	3	Orange
4	Yellow	7	Blue
8	White		

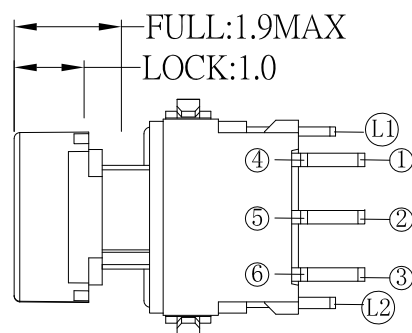
BLANK	Lock
NL	Non-Lock



P.C.B LAYOUT
TOP VIEW



CIRCUIT DIAGRAM



SPECIFICATIONS:

- 1.RATING: 12V DC , 0.1A
- 2.CONTACT RESISTANCE: 70mΩ Max
- 3.INSULATION RESISTANCE: 100MΩ Min
- 4.OPERATING FORCE: 250±100 gf
- 5.OPERATING LIFE:10,000 Cycles

NO.	DESCRIPTION	QTY	MATERIAL	PLATING
9	LED	1		
8	CAP	1	PC(Slave)	
7	KNOB	1	POM(White)/NYLON66(Black)	
6	COVER	1	NYLON66(Black)	
5	LOCK PIN	1	SUS	
4	CONTACT	2	PHOSPHOR BRONZE	
3	SPRING	1	SUS	Ag plated
2	CASE	1	NYLON66(Black)	
1	TERMINAL	6	BRASS	Ag plated over Ni

CONTACT 建倚科技股份有限公司
CONTACT TECHNOLOGY CORP.

TOLERANCE UNLESS OTHERWISE STATED:
 Up to 5 ±0.2
 Above 5 ~ 15 ±0.3
 Above 15 ~ 30 ±0.4
 Above 30 ~ 50 ±0.5
 Angle ±0.3

3RD. ANGEL'S



UNITS MM

DRAWN BY: Jack Lu
 CHECKED BY: Jacky Chen
 APPROVED BY: Tony Kao

DATE: 12/08/23
 DATE: 12/08/23
 DATE: 12/08/23

MAT'L	TITLE	SWITCH
FINISH	MODLE	PUSH W/I LED
SCALE 1 : 1	DWG NO.	PS-x-22E85x-S313
SHEET NO. 1 of 1	PART NO.	PS-x-22E85x-S313

ITEM NO.	DESCRIPTION	DRAWN	DATE
3	更新樣式	Jack	120823
2	新增尺寸和PIN編號標示	Jack	112023
1	更新圖面	Jack	111423