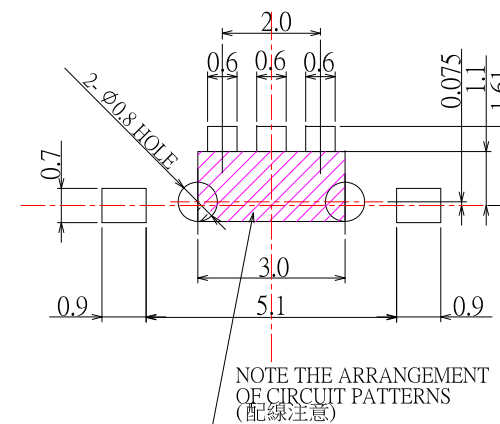
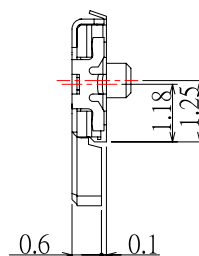
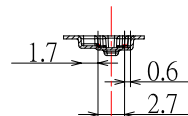
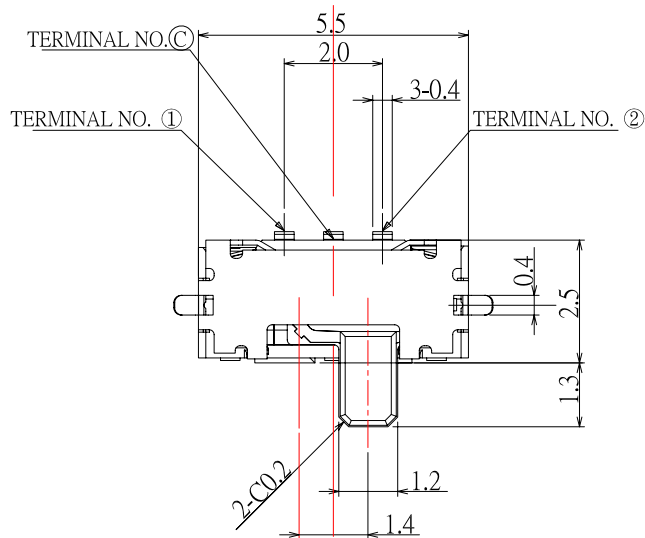
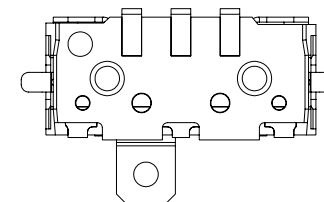
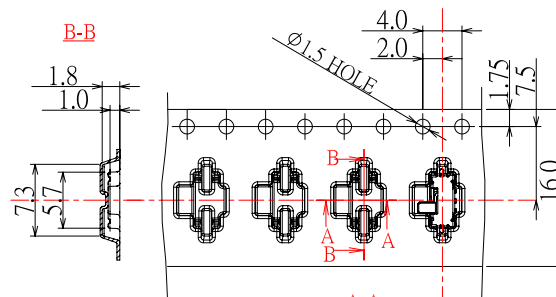
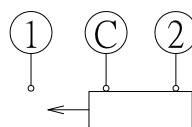
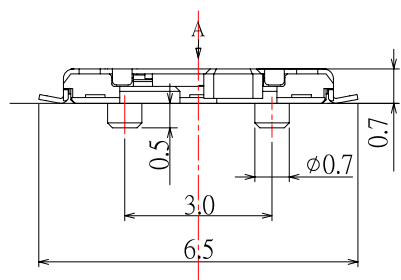




DIMNSIONS



P.C.B MOUNTING PATTERN



SCHEMATIC

SPECIFICATIONS

Rating	DC 5V 10mA
Function	1P-2T
Contact Resistance	300mΩ Max
Insulation Resistance	100MΩ Min
Operating Force	150gf ± 100gf
Operating Life (cycles)	10,000 Min.

CONTACT 建倚科技股份有限公司
CONTACT TECHNOLOGY CORP.

TOLERANCE UNLESS OTHERWISE STATED:
Up to 5 ±0.2
Above 5 ~ 15 ±0.3
Above 15 ~ 30 ±0.4
Above 30 ~ 50 ±0.5
Angle ±0.3°

3RD. ANGEL'S



UNITS MM

DRAWN BY:	DATE	MAT'L	TITLE	SWITCH
Jack Lu	05/07/19		MODLE	SLIDE SWITCH
CHECKED BY:	DATE	SCALE	DWG NO.	SS-B20-S304
Jacky Chen	05/07/19	1 : 1	PART NO.	SS-B20-S304
APPROVED BY:	DATE	SHEET NO.		
Tony Kao	05/07/19	1 of 1		

ITEM NO.	DESCRIPTION	DRAWN	DATE